

SANYO

CE32FWH1F-c

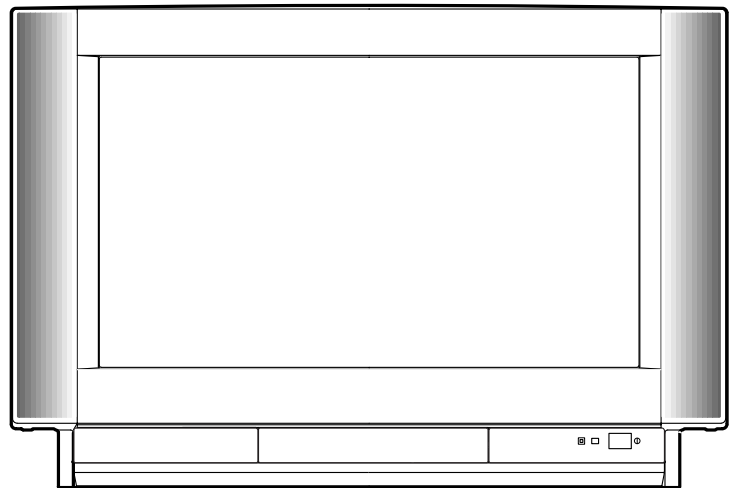
Colour Television Service Manual

Model No. CE32FWH1F-C

Service Ref. No. CE32WFH1F-C-00

PRODUCT CODE:111352710

ORIGINAL VERSION: Chassis No. WB5-B



Give complete "SERVICE REF. NO." for parts order or servicing, it is shown on the rating sheet on the cabinet back of the TV set.

Note

This TV receiver will not work properly in foreign countries where the television transmission system and power source differ from the design specifications. Refer to the specifications for the design specifications.

CONTENTS

Safety precautions/Specifications	2
Block Diagrams.....	3 - 6
Cabinet Disassembly	7
Adjustment and Repair Procedures.....	8 - 13
Component Locations	14 - 15
CPU Functions.....	16 - 18
IC block diagrams	19 - 26
Pin description of semi-conductors	27
Parts description and reading of schematic diagram	28
Cabinet Parts List/TV Stand Parts List	29
Electrical Parts List	30 - 53

SAFETY PRECAUTION

- 1: An isolation transformer should be connected in the power line between the receiver and the AC line when a service is performed on the primary of the converter transformer of the set.
- 2: Comply with all caution and safety-related notes provided on the cabinet back, inside the cabinet, on the chassis or the picture tube.
- 3: When replacing a chassis in the cabinet, always be certain that all the protective devices are installed properly, such as, control knobs, adjustment covers or shields, barriers, isolation resistor-capacitor networks etc. Before returning any television to the customer, the service technician must be sure that it is completely safe to operate without danger of electrical shock.

X-RADIATION PRECAUTION

The primary source of X-RADIATION in the television receiver is the picture tube. The picture tube is specially constructed to limit X-RADIATION emissions. For continued X-RADIATION protection, the replacement tube must be the same type as the original including suffix letter. Excessive high voltage may produce potentially hazardous X-RADIATION. To avoid such hazards, the high voltage must be maintained within specified limit. Refer to this service manual, high voltage adjustment for specific high voltage limit. If high voltage exceeds specified limits, take necessary corrective action. Carefully follow the instructions for +B1 volt power supply adjustment, and high voltage adjustment to maintain the high voltage within the specified limits.

PRODUCT SAFETY NOTICE

Product safety should be considered when a component replacement is made in any area of a receiver. Components indicated by mark Δ the parts list and the schematic diagram designate components in which safety can be of special significance. It is particularly recommended that only parts designated on the parts list in this manual be used for component replacement designated by mark Δ . No deviations from resistance wattage or voltage ratings may be made for replacement items designated by mark Δ .

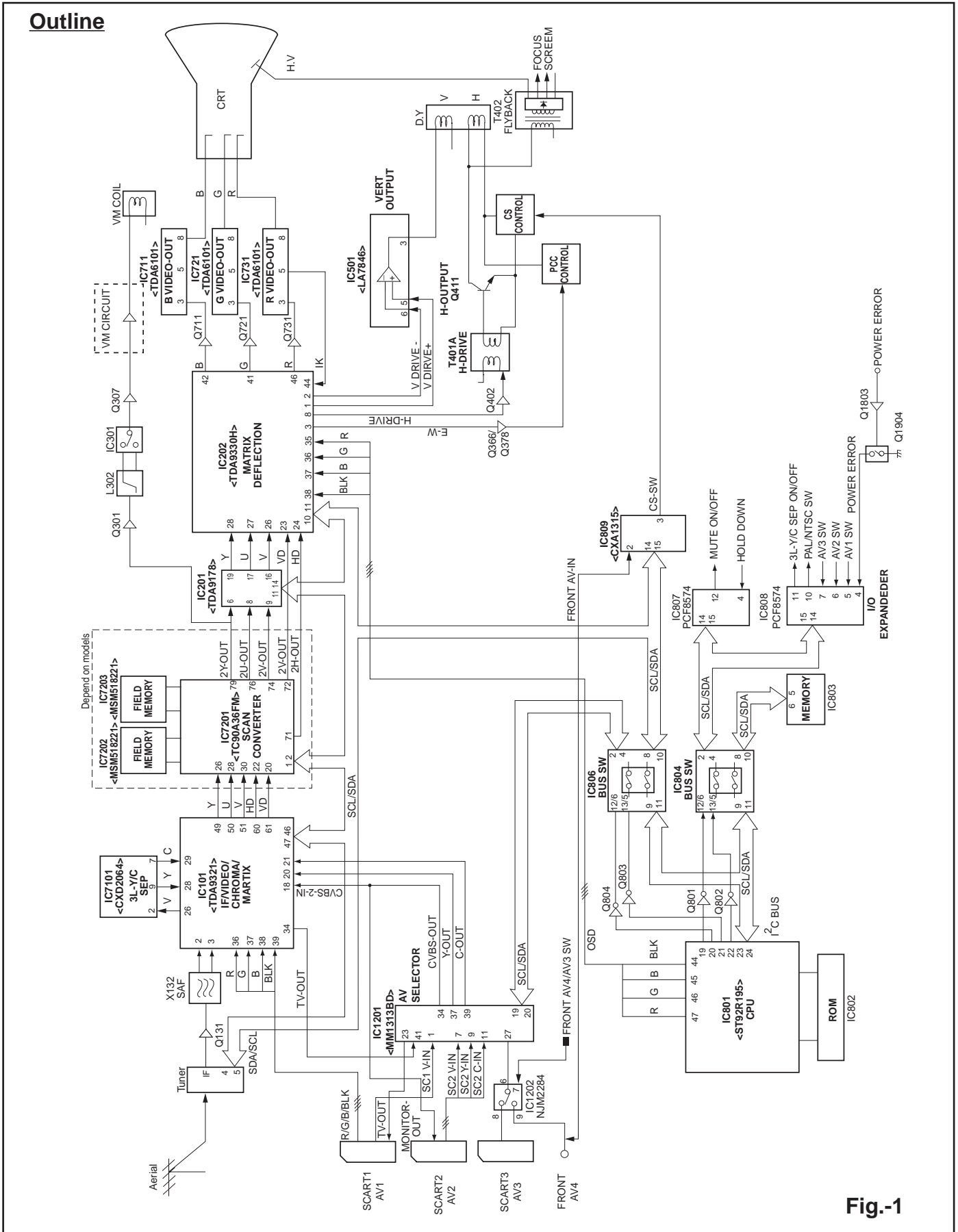
SPECIFICATIONS

Power source	AC 220~240V 50Hz
Television system	System B/G, I, L/L', D/K.
Colour system	PAL/SECAM/NTSC4.43 (PAL/NTSC4.43/NTSC3.58 in AV mode)
Channel coverage	UHF: #21-#69 VHF: E2-E12, F2-F10, R1-R12 CATV: X, Y, Z, S1-S41, B-Q
Aerial input impedance	75ohm
AV terminal	AV1: CENELEC Standard with RGB
21-pin terminals	AV2: CENELEC Standard with S-inputs AV3: CENELEC Standard
Front AV terminals	AV3: RCA Terminal, Video and Audio(L/R) Input
Sound output	12 x 2
Picture tube(inches)	32
Dimensions(WxHxD mm)	880 x 583.5 x 580.5
Weight	54.6Kg

CHASSIS DESCRIPTION

[Chassis Block Diagrams]

This is a basic diagram for all models and therefore differs slightly from the actual block diagram.



Video signal routing

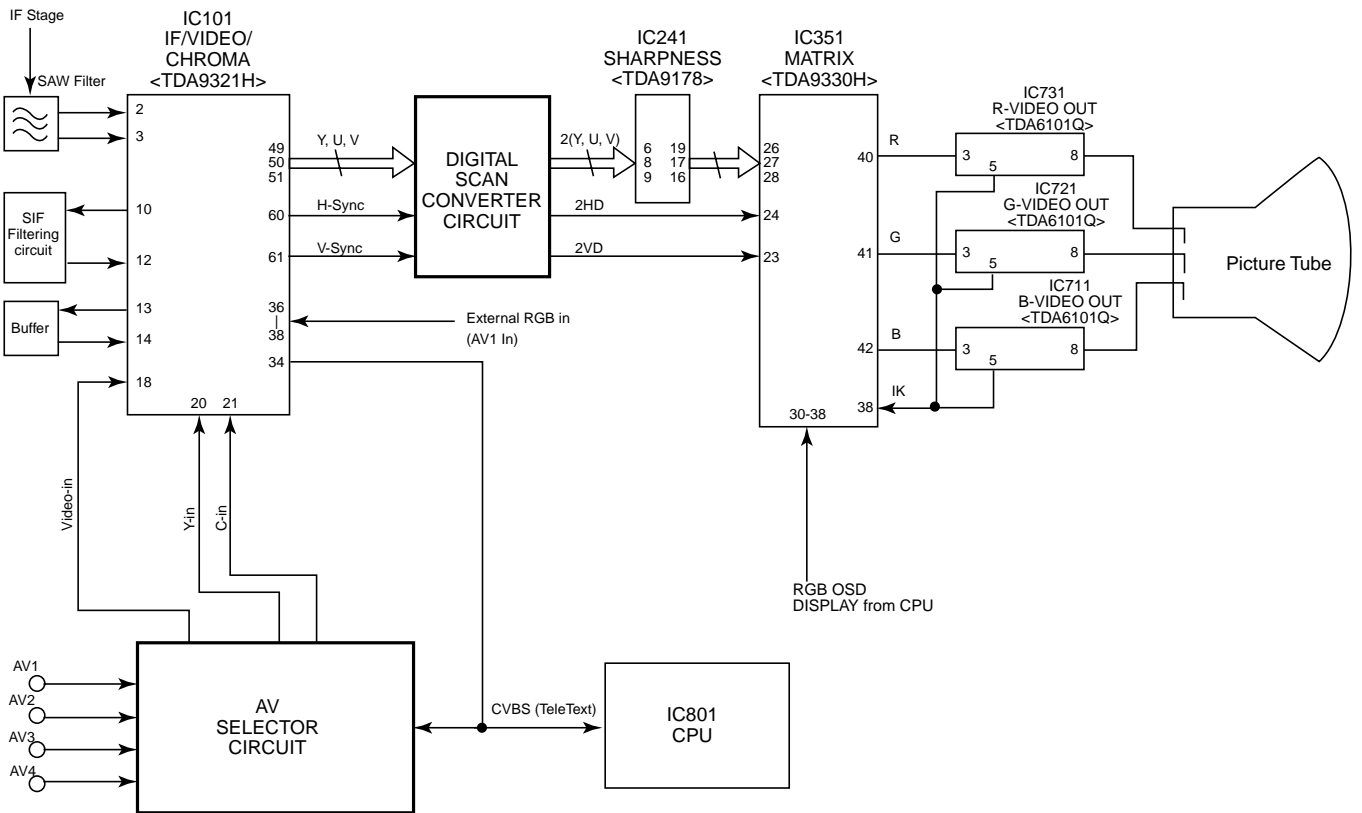


Fig-2

Audio signal routing

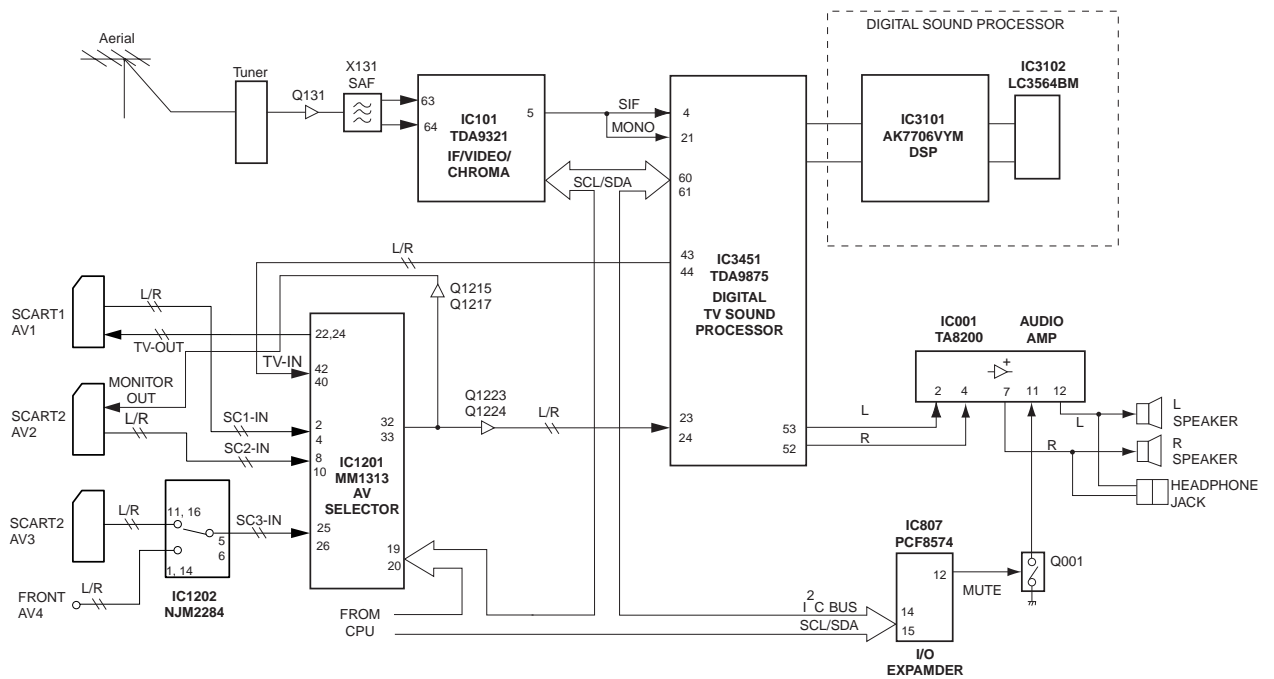


Fig-3

System control

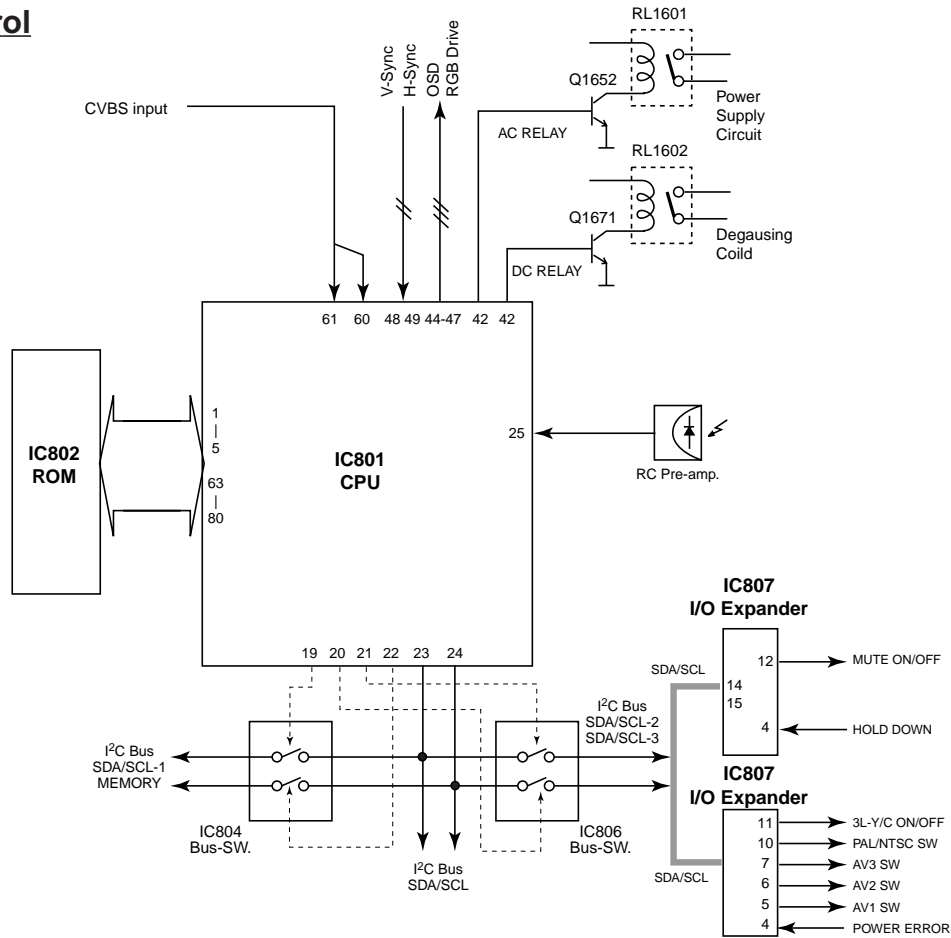


Fig.-4

Deflection circuit

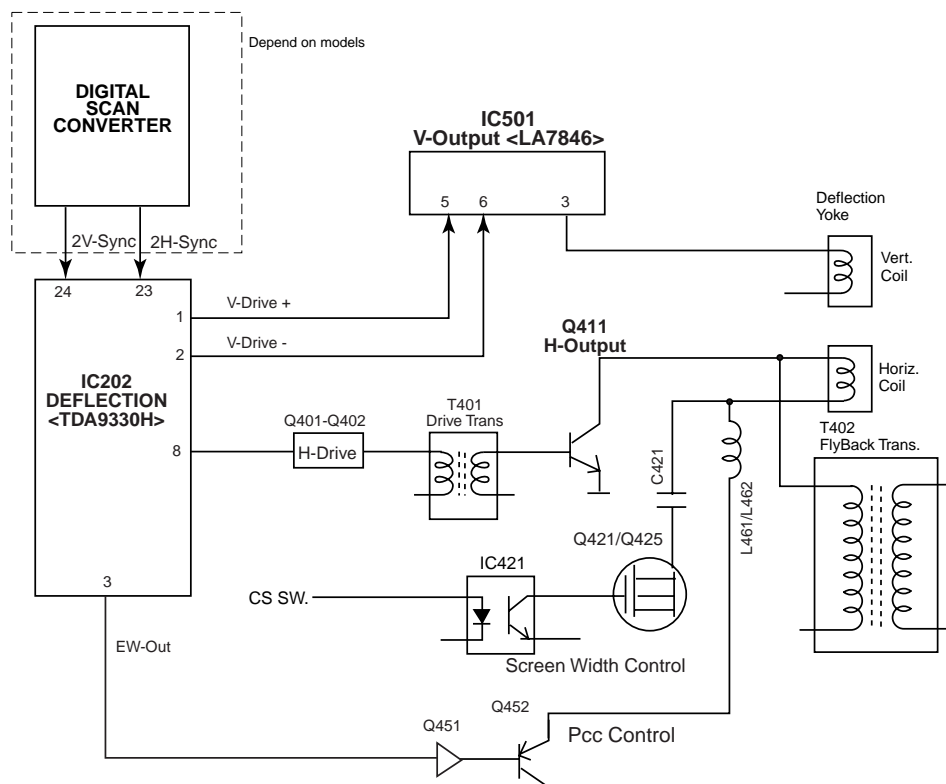


Fig.-5

[Digital Scan Operation]

100Hz Digital Scan Converter circuit (available only 100Hz models)

100Hz converter circuit consists of the following ICs.

- TC90A36F, IC7201
Field Progressive Converter
- MSM518221A, IC7202, IC7203
Video Memory
- TLC2932I, IC7205
PLL (Phase Locked Loop)
- MC74HC04AFP, IC7341
inverter

The Y-signal output from IC101 is sent to pin 85 of IC7201<TC90A36F>, field progressive converter, after controlling the amplitude level and band-pass limiting by the circuit consist of Q7301, Q7302, Q7303, Q7304 and 8MHz LPF. The U/V-signal are also controlling the amplitude level and band-pass limiting by the circuit consist of Q7311, Q7312, Q7313, Q7314, Q7321, Q7322, Q7323, Q7324 and 4MHz LPF respectively. The U-signal is sent to pin 90 of IC7201 and the V-signal is sent to pin 92 of IC7201. The HD signal is sent to pin 63 of IC7201 with positive polarity through IC7341 for shaping the waveform. The VD-signal is sent to pin 68 of IC7201 with negative polarity through IC7341.

The Y-signal input to IC7201 is converted from A to D in 8bit and output from pins 18 to 25 of IC7201 to pins 1 to 4 and 24 to 27 of IC7203<MSM51822A>, video memory, for writing.

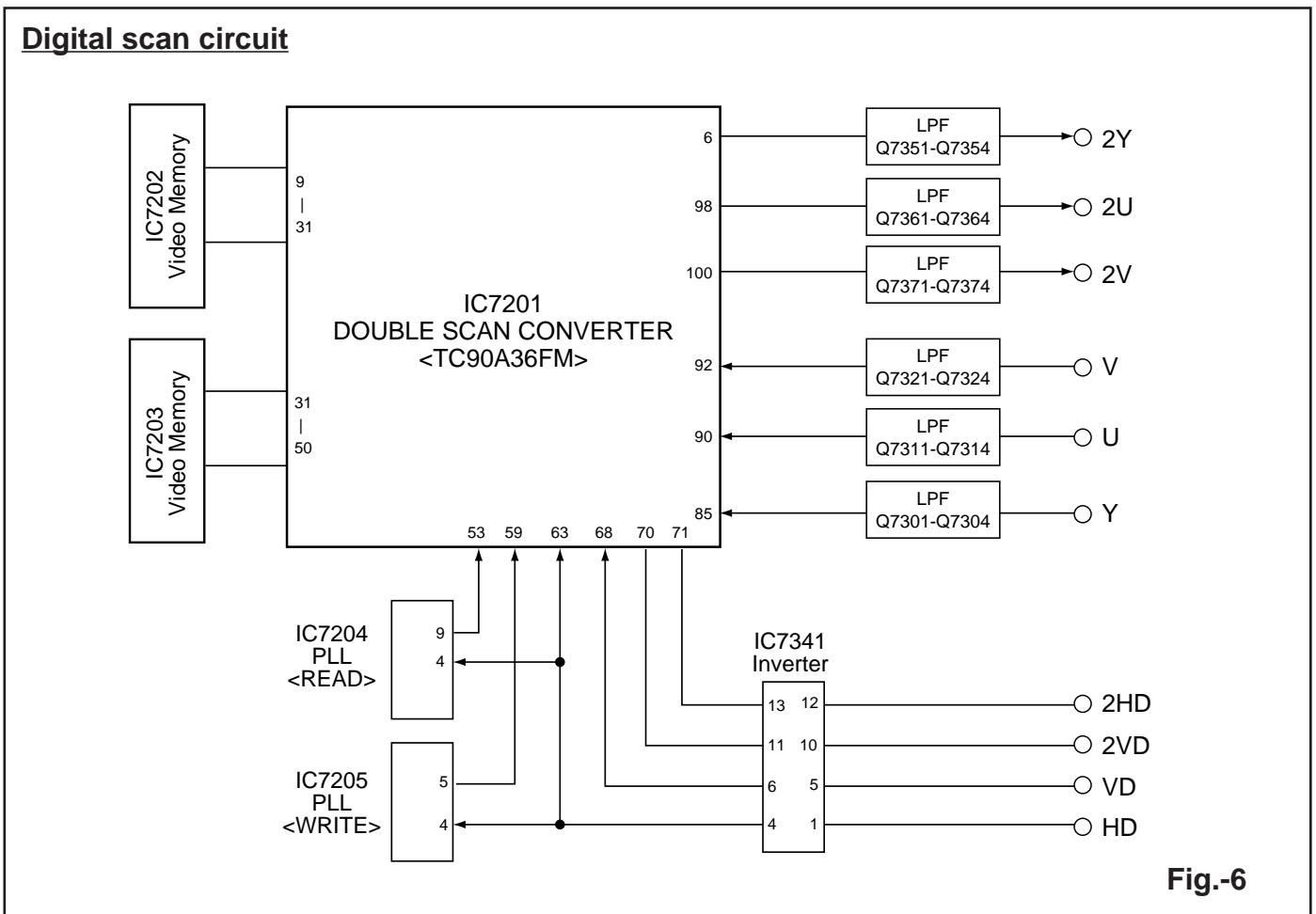


Fig.-6

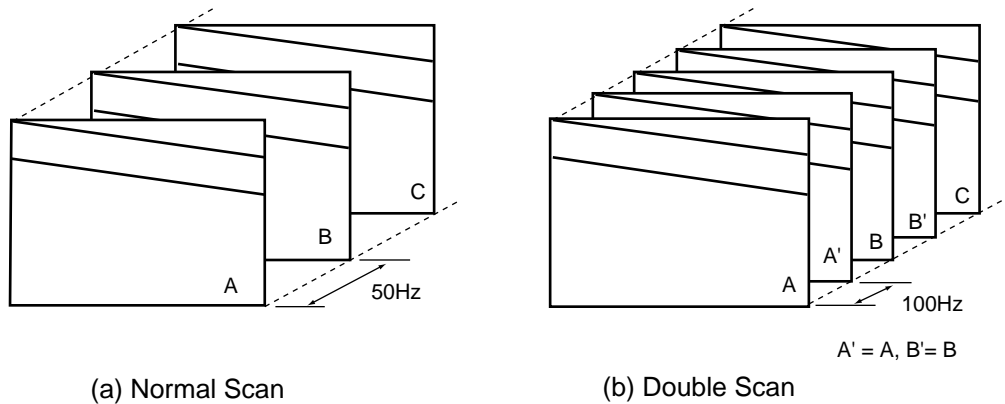


Fig.-7

100Hz Digital Scan Converter circuit (available only 100Hz models)

100Hz converter circuit consists of the following ICs.

- TC90A36F, IC7201
Field Progressive Converter
- MSM518221A, IC7202, IC7203
Video Memory
- TLC2932I, IC7205
PLL (Phase Locked Loop)
- MC74HC04AFP, IC7341
inverter

The Y-signal output from IC101 is sent to pin 85 of IC7201<TC90A36F>, field progressive converter, after controlling the amplitude level and band-pass limiting by the circuit consist of Q7301, Q7302, Q7303, Q7304 and 8MHz LPF. The U/V-signal are also controlling the amplitude level and band-pass limiting by the circuit consist of Q7311, Q7312, Q7313, Q7314, Q7321, Q7322, Q7323, Q7324 and 4MHz LPF respectively. The U-signal is sent to pin 90 of IC7201 and the V-signal is sent to pin 92 of IC7201. The HD signal is sent to pin 63 of IC7201 with positive polarity through IC7341 for shaping the waveform. The VD-signal is sent to pin68 of IC7201 with negative polarity through IC7341.

The Y-signal input to IC7201 is converted from A to D in 8bit and output from pins 18 to 25 of IC7201 to pins 1 to 4 and 24 to 27 of IC7203<MSM51822A>, video memory, for writing.

The U/V-signals are converted in progressive at multiplexer and converted from A to D in 8 bit, and then applied from pins 34 to 41 of IC7201 to pins 1 to 40 and 24 to 27 of IC7203 <MSM518221A>, video memory, for writing.

The signals are wrote down to memory IC by 16MHz clock. It means the number of sampling are 1024 per 1H. The clock signal for writing is obtained by performing the phase comparing AFC control to the HD-signal. The phase comparing AFC control performs at IC7205<TLC2932I>, PLL, and IC7201. The 32MHz clock signal generated here is supplied from pin 3 of IC7205 and sent to pin 61 of IC7201. The clock signal divided to 16MHz in the IC is output to pin 31 and supplied to pins 6 of IC7202 and IC7203.

The reading is performed by 32MHz clock supplied from pin 28 of IC7201. In this case, the number of sampling is 2048 per 1H. This read clock signal is obtained by performing the frequency comparing AFC control to the input HD-signal. To avoid the skew distortion, the phase comparing AFC control is not employed. The frequency comparing AFC control is performed at IC7204<TLC2932I>, PLL, and IC7201. The 32MHz clock signal generated here is output from pin

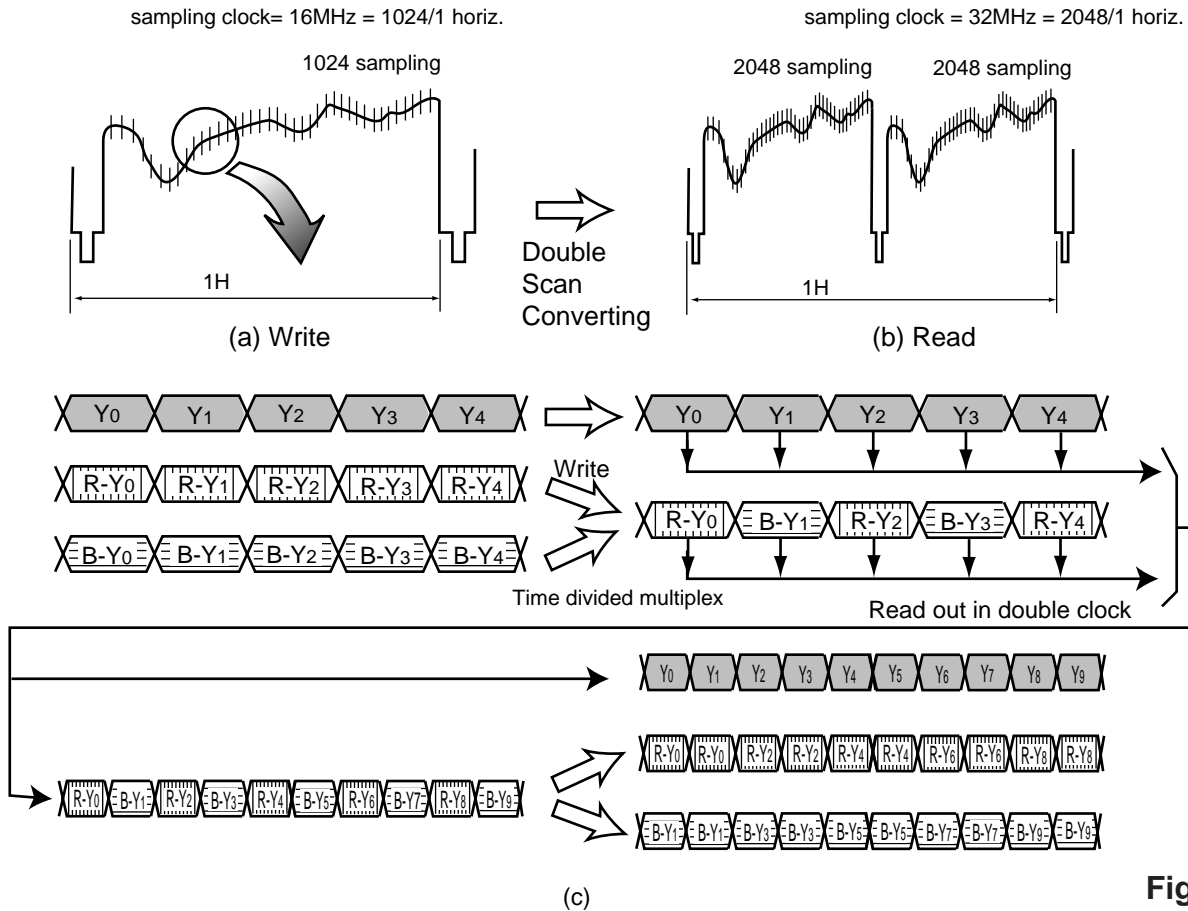


Fig.-8

100Hz Digital Scan Converter circuit (available only 100Hz models)

100Hz converter circuit consists of the following ICs.

- TC90A36F, IC7201
Field Progressive Converter
- MSM518221A, IC7202, IC7203
Video Memory
- TLC2932I, IC7205
PLL (Phase Locked Loop)
- MC74HC04AFP, IC7341
inverter

The Y-signal output from IC101 is sent to pin 85 of IC7201<TC90A36F>, field progressive converter, after controlling the amplitude level and band-pass limiting by the circuit consist of Q7301, Q7302, Q7303, Q7304 and 8MHz LPF. The U/V-signal are also controlling the amplitude level and band-pass limiting by the circuit consist of Q7311, Q7312, Q7313, Q7314, Q7321, Q7322, Q7323, Q7324 and 4MHz LPF respectively. The U-signal is sent to pin 90 of IC7201 and the V-signal is sent to pin 92 of IC7201. The HD signal is sent to pin 63 of IC7201 with positive polarity through IC7341 for shaping the waveform. The VD-signal is sent to pin 68 of IC7201 with negative polarity through IC7341.

The Y-signal input to IC7201 is converted from A to D in 8bit and output from pins 18 to 25 of IC7201 to pins 1 to 4 and 24 to 27 of IC7203<MSM51822A>, video memory, for writing. The U/V-signals are converted in progressive at multiplexer and converted from A to D in 8 bit,

Power supply & Protection circuit

— Power Supply Lines
 Power Failure Detection Lines

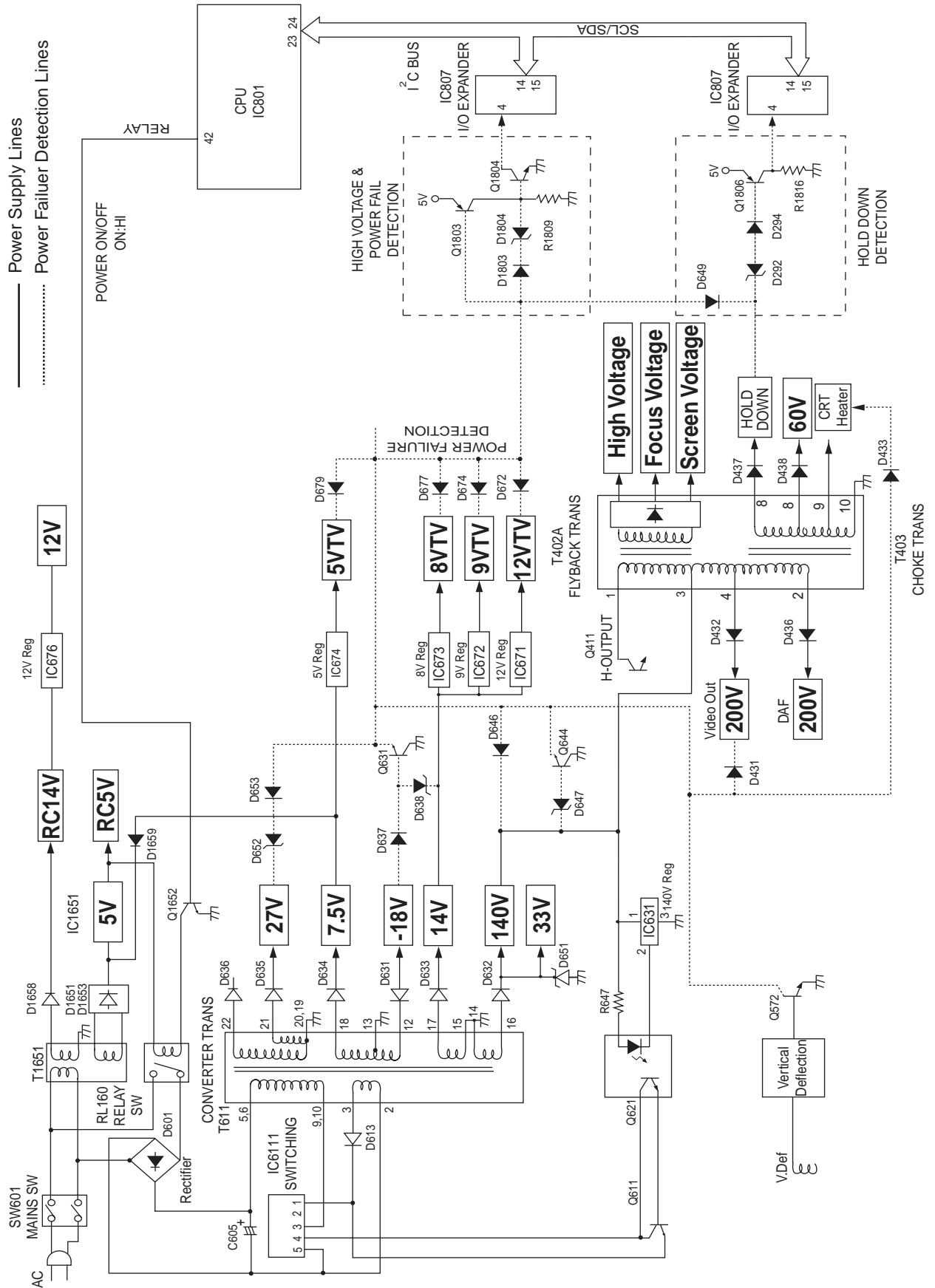
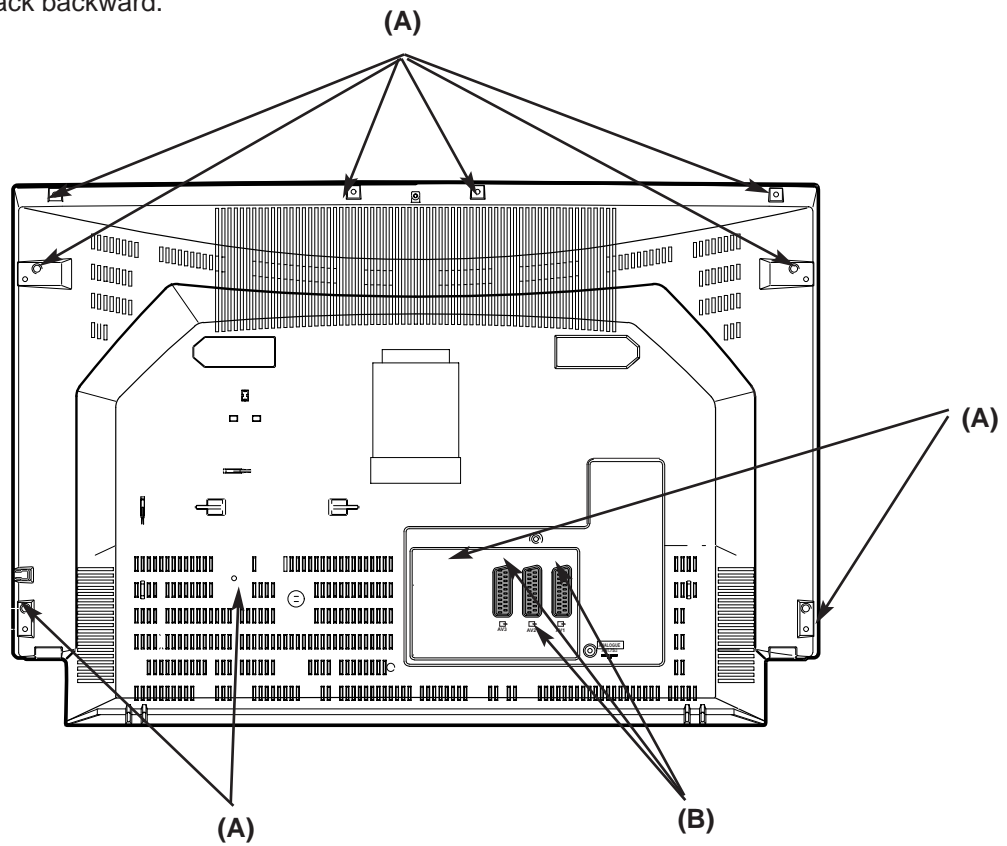


Fig-9

DISASSEMBLY

CABINET BACK DISASSEMBLY

1. Remove 10 screws (A) and 3 screws (B)
2. Pull out the cabinet back backward.



SERVICE ADJUSTMENTS

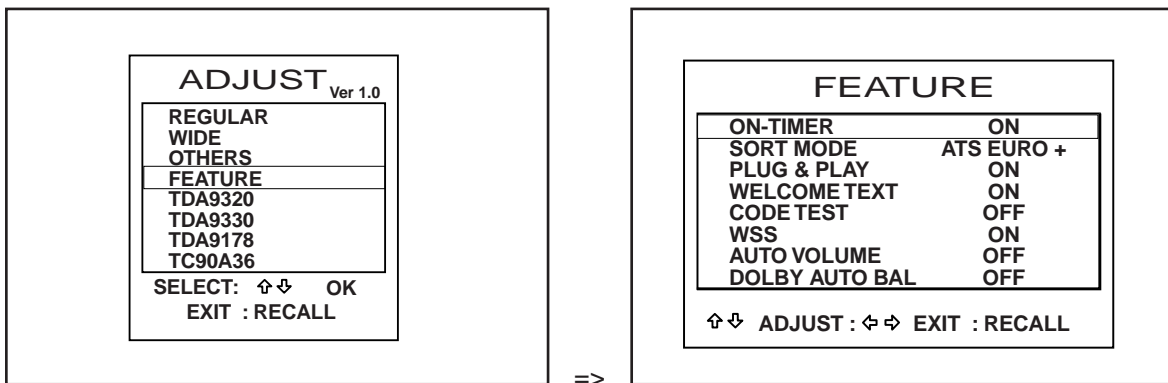
[After replacing the Memory IC (IC803)]

The memory IC, IC803, stores the feature setting data of TV set and service adjustments data for each circuit, therefore, when the memory IC is replaced, it should be performed by following "FEATURE SETTING" and "SERVICE ADJUSTMENT".

[FEATURE SETTING]

To enter to the Feature Setting Mode

- + Press and hold the "GREEN" button on the remote control and **P▼ button** on the front control panel. The adjustment window will appear on the screen.
- + Highlight the **FEATURE** menu by using the **▲** or **▼ button** and then press the **OK button**. The window will change to the feature setting window.



To set the feature mode

- + Highlight the desired feature item by using the **▲** or **▼ button**.
- + To change the feature mode, use the **◀** or **▶ button**.
- + The data which is set in the feature mode is stored into the memory IC automatically.

Following table shows the available feature items and default setting. (The features of item DOLBY AUTO BAL mode will not operate properly even if the mode can be selected.)

Feature items	Mode	Description & Note
ON-TIMER	ON or OFF	On-timer available, default "ON"
SORT MODE	AUTO TUNE/SORT or AUTO TUNE or ATS EURO PLUS	Tuning mode, default "ATS EURO +"
PLUG & PLAY	ON or OFF	Plug & Play mode, default "ON"
WELCOME TEXT	ON or OFF	Display message when first set up, default "ON"
CODE TEST	OFF or ON	For factory use, default "OFF"
WSS	OFF or ON	Wide Screen Signaling available, default "ON"
AUTO VOLUME	ON or OFF	Auto Volume function available, default "OFF"
DOLBY AUTO BAL	OFF or ON	Dolby Auto balance mode, default "OFF"

Exit from the Feature Setting Mode

- + Press the **RECALL button** on the remote control.

[SERVICE ADJUSTMENT]

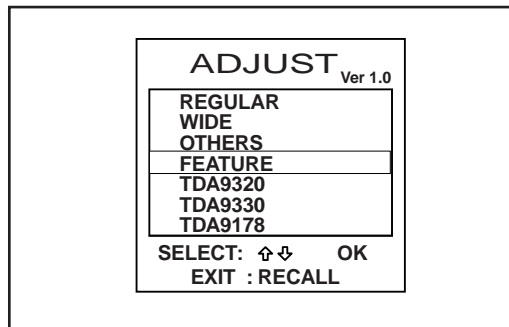
Note: Some items of the service adjustments for this chassis are controlled by the CPU, IC801, and the adjustments are carried out by using the RC handset.

IMPORTANT NOTICE

Do not attempt to adjust service adjustments not listed on the above otherwise it may cause loss of performance and product safety.

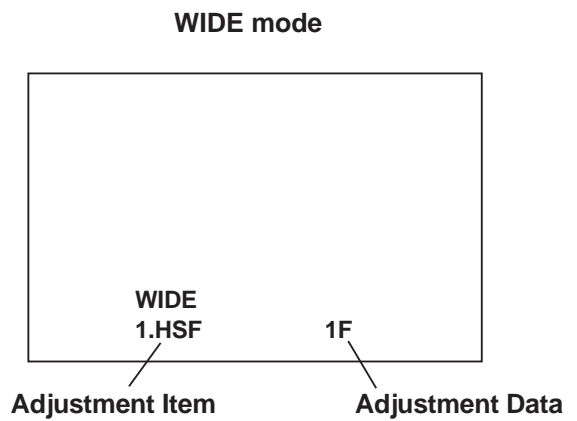
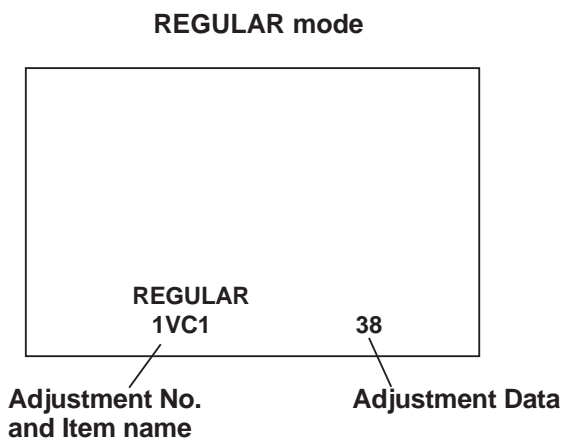
To enter to the Service Mode

+ Press and hold the “**GREEN**” button on the remote control and **P▼** button on front control panel. The adjustment window will appear on the screen.



To select the mode and service item and change data value

- + Highlight the desired adjustment mode (REGULAR or WIDE mode) by using the ▲ or ▼ button and then press the OK button.
- + To select the adjustment item, use the ▲ or ▼ button.
- + To change the service data, use the ◀ or ▶ button button.
- + The data which is set in the service mode is stored into the memory IC automatically.



ADJUSTABLE SERVICE ADJUSTMENT

IMPORTANT NOTICE

Do not attempt to change the data value of service items not listed below table otherwise it may cause loss of performance and product safety. If you can not restore the data value of each service item, please initialize the memory IC following to the below description "INITIALIZATION OF MEMORY IC" and re-adjust all of service adjustments.

[REGULAR]

<u>Item No.</u>	<u>OSD</u>	<u>Description</u>	
1	1VC1	B/G VCO Adjustment	
2	2VC2	France-L/L' VCO Adjustment	
3	3AGC	AGC Adjustment	
4	4SCR	Screen Adjustment	
5	5GRY	White Balance Adjustment	
6	6CUT	Cut-Off Drive Adjustment	<-- Not required this adjustment
7	7CTR	Contrast Adjustment	<-- Not required this adjustment
8	8OSD	OSD Positioning Adjustment	

[WIDE]

<u>Item No.</u>	<u>OSD</u>	<u>Description</u>
4	4.P V-WA	Vertical Height Adjustment
6	6.P V-L	Vertical Linearity Adjustment
8	8.P H-P	Horizontal Centring Adjustment
9	9.P H-W	Horizontal Width Adjustment
11	11.P-PCC	PCC Adjustment
16	16.P-TRP	PCC-Tilt Adjustment

Exit from the Service Mode

+ Press the **RECALL** button or turn off the TV set by using the Mains switch.

[INITIALIZATION OF MEMORY IC]

To initialize the memory IC (IC803), press and hold the "**NORMAL**" button and then press the **P▼** button on the front control panel, **and then turn the Mains switch Off and On**. Now the initialization is completed.

When initialized the memory IC, all of the setting data (feature setting data, option data and service adjustment data) stored in the IC are reset to the default value. So it is necessary to set the feature setting, option setting and readjust the service adjustments listed on left page.

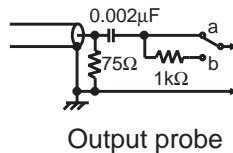
[ADJUSTMENTS]

How to adjust the each service data, Please see "SERVICE ADJUSTMENT on page 12 for Entering the Service mode , Selecting service item and Adjusting the service data value.

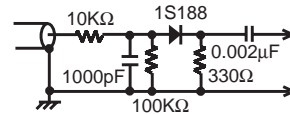
IMPORTANT NOTICE

Do not attempt to adjust the following service adjustments except requiring the readjustments in servicing otherwise it may cause loss of performance and product safety.

Adjustment Tools



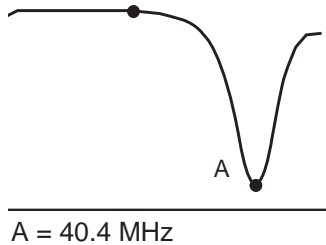
Output probe



Input probe for CH trap alignment

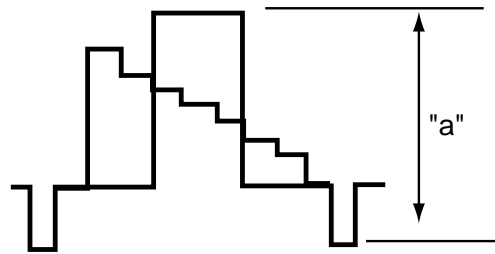
CH TRAP ADJUSTMENT

1. Apply 8.0Vdc to pin "C156 +" and GND.
2. Connect output probe to terminal "TUNER IF".
3. Connect input probe to pin "Q131-C".
4. Set the sweep attenuator to 11dB.
5. By using T131, adjust "A" to be minimum amplitude.



VIDEO LEVEL ADJUSTMENT

1. Receive a colour bar pattern.
2. Connect oscilloscope to terminal "TPVIDEO" and GND.
3. Adjust amplitude "a" to be 2.0Vp-p by using VR181.



IF VCO ADJUSTMENT

PAL BG VCO ADJUSTMENT

1. Apply 38.9MHz signal to IF terminal on the tuner.
2. Enter to the service mode and select mode "REGULAR", item "REGULAR 1VC1".
3. Press the ◀ or ▶ button to set data value to be "10".

L' VCO ADJUSTMENT

1. Apply 34.3MHz signal to IF terminal on the tuner.
2. Enter to the service mode and select mode "REGULAR", item "REGULAR 2VC2".
3. Press the ◀ or ▶ button to set data value to be "10".

RF-AGC ADJUSTMENT

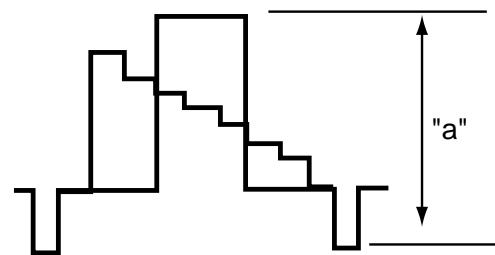
1. Receive a colour bar pattern with 63dBuV/75Ω terminated signal gain.
2. Connect digital voltmeter to TP-AGC and GND.
3. Enter to the service mode and select mode "REGULAR", item "REGULAR 3AGC".
4. Press the ◀ or ▶ button to adjust voltage to be 3.2Vdc.

Y-OUT LEVEL ADJUSTMENT

1. Receive a colour bar pattern.
2. Connect oscilloscope to terminal "TPYOUT" and GND.
3. Adjust amplitude "a" to be 1.0Vp-p by using VR7001.

SCAN Y LEVEL ADJUSTMENT

1. Receive a colour bar pattern.
2. Connect oscilloscope to C7383 and GND.
3. Adjust amplitude "a" to be 1.0Vp-p by using VR7351.



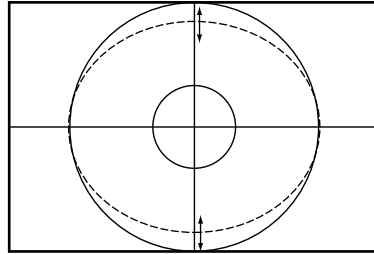
FOCUS ADJUSTMENT

By using FOCUS VR, adjust focus control for well defined scanning lines.

GREY SCALE ADJUSTMENT

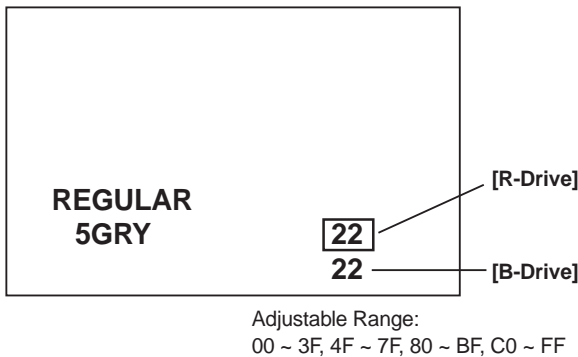
SCREEN ADJUSTMENT

1. Select AV1 mode and no signal input.
2. Enter to the service mode and select mode "REGULAR", item "REGULAR 4SCR".
3. Turn the **SCREEN VR** to set data value to "11".



GREY SCALE ADJUSTMENT

4. Select item "REGULAR 5GRY".
5. Adjust [R-Drive] and [B-Drive] control to obtain proper white balance by using **LEVEL+** or **LEVEL -** button.
 - a) Select [R-Drive] or [B-Drive] by using the **P▲** or **P▼** button.
 - b) Adjust [R-Drive] or [B-Drive] by using the **◀** or **▶** button.



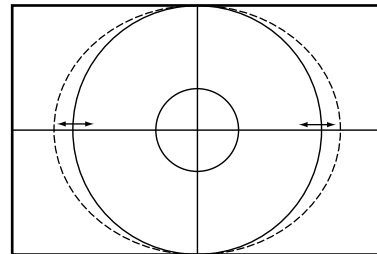
HORIZONTAL ADJUSTMENT

HORIZONTAL CENTRING ADJUSTMENT

1. Receive a circular pattern .
2. Enter to the service mode and select mode "WIDE", item "WIDE 8.P H-P".
3. Press the **◀** or **▶** button to adjust horizontal centre.

HORIZONTAL WIDTH ADJUSTMENT

1. Receive circular pattern.
2. Enter to the service mode and select mode "WIDE", item "WIDE 9. P H-W" (Coarse) / "WIDE 10 HAD" (Fine)
3. Press the **◀** or **▶** button to adjust the horizontal width.



+B VOLTAGE CHECK

1. Receive a circular pattern..
2. Connect a digital voltmeter to terminal of R652.
3. Set controls to normal.
4. Check the voltage reading is 150V ±1V dc.

VERTICAL ADJUSTMENT

VERTICAL CENTRING ADJUSTMENT

1. Receive a circular pattern..
2. Enter to the service mode and select mode "WIDE", item "WIDE 2.P V-PS".
3. Press the **◀** or **▶** button to adjust vertical centre.

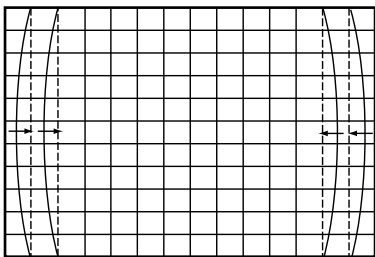
VERTICAL HEIGHT ADJUSTMENT

1. Receive a circular pattern .
2. Enter to the service mode and select mode "WIDE", item "WIDE 4.P V-WA".
3. Press the **◀** or **▶** button to adjust the vertical height.

PCC ADJUSTMENT

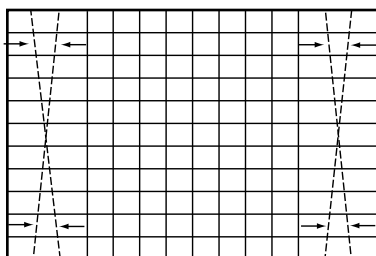
PCC ADJUSTMENT

1. Receive a cross-hatch pattern.
2. Enter to the service mode and select mode "WIDE", item "WIDE 11.P-PCC".
3. Press the ◀ or ▶ **button** to adjust the vertical line around the left and right side edges of the screen to be straight.



PCC-TILT ADJUSTMENT

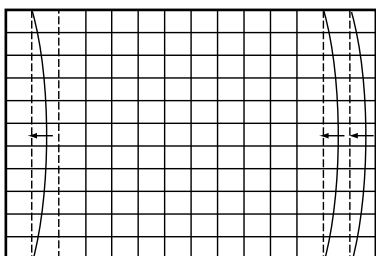
4. Select item "WIDE 16.P-TRP".
5. Press the ◀ or ▶ **button** to correct the tilt of vertical lines.



SUB PCC ADJUSTMENT

SUB PCC ADJUSTMENT

1. Receive a cross-hatch pattern.
2. Adjust left and right vertical lines to be straight by switching the housing socket "JWPH" to pins "LOW", "MID" or "HIGH".
3. If the vertical lines can not be straight in step 2, use VR2301 to make straight vertical lines.



RASTER SHIFT ADJUSTMENT

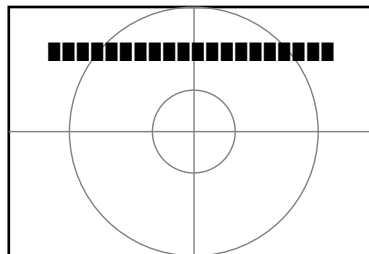
4. If the linearity of the right side screen becomes bad due to the above adjustment, switch housing socket "JWRS" to pin "RIGHT". The right side linearity will be improved by the raster shifting.

HIGH-VOLTAGE CONFIRMATION

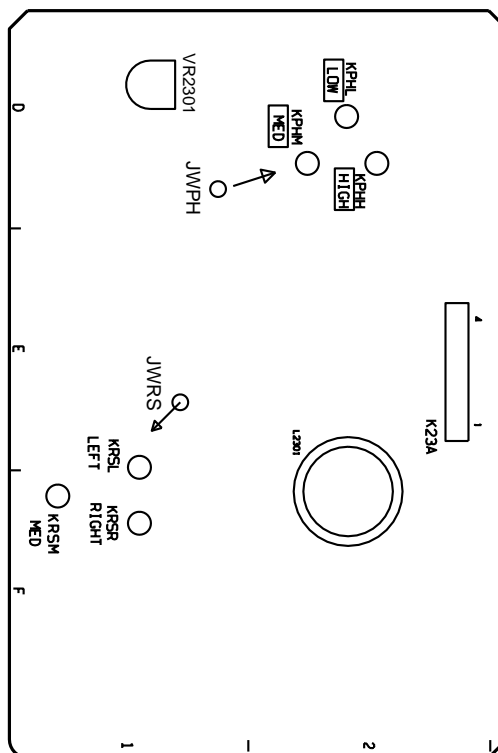
1. Receive a circular pattern.
2. Connect the high voltage meter to CRT anode and GND.
3. Set controls to maximum.
4. Confirm high voltage to be 30.5 ± 1 KV.

OSD CENTRING ADJUSTMENT

1. Receive a circular pattern.
2. Enter to the service mode and select mode "REGULAR", and select item no. 8 "REGULAR 8 OSD". The OSD test bar will appear on the top of screen.
3. Press the ◀ or ▶ **button** to adjust proper OSD positioning.

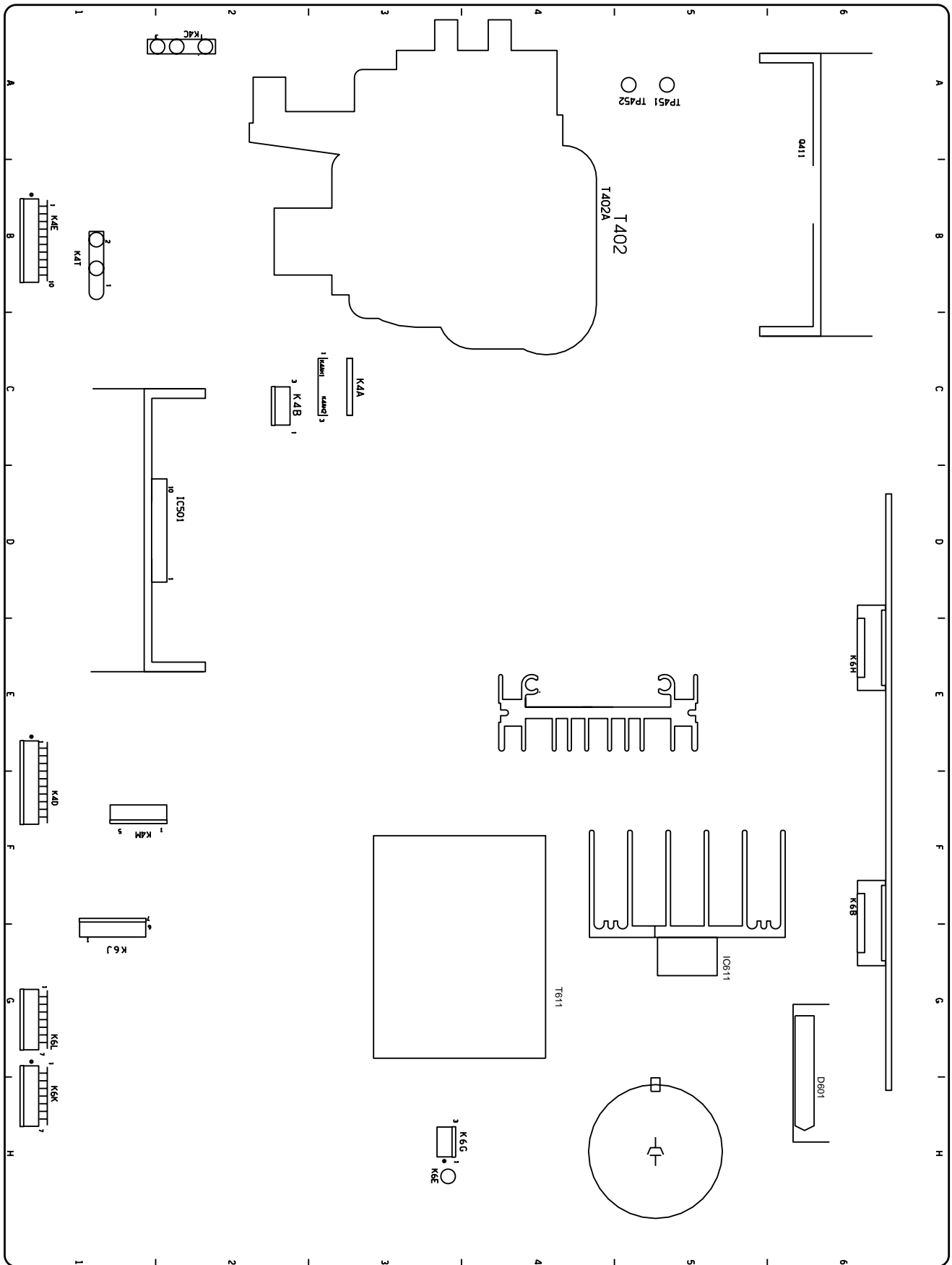


SUB PCC BOARD



COMPONENT LOCATIONS

● Power and Def. Board



SYSTEM CONTROL PORT FUNCTIONS

● IC801 <CPU Port functions>

Pin No.	Function Name	Function	IN/OUT
1	MMU0		OUT
2	MMU3		OUT
3	ADDR10	Address bus 10	OUT
4	DSN		
5	ADDR11	Address bus 11	OUT
6	ADDR9	Address bus 9	OUT
7	ADDR8	Address bus 8	OUT
8	RWN		
9	GND		
10	VDD		IN
11	OSC-IN	Clock Input	IN
12	OSC-OUT	Clock Output	OUT
13	ADDR13	Address bus 13	OUT
14	ADDR14	Address bus 14	OUT
15	MMU1		OUT
16	MMU2		OUT
17	MMU4		OUT
18	MMU5		OUT
19	P3.7/CSO	IIC Switch (NVR SW)	OUT
20	P3.6/ASN	IIC Switch (IIC-3 SW)	OUT
21	P3.5	IIC Switch (IIC-2 SW)	OUT
22	P3.4	IIC Switch (IIC-1 SW)	OUT
23	--	--	--
24	--	--	--
25	RC-IN	Remote Control Signal Input	IN
26	ASPECT-SO	Aspect SO	IN
27	AC CLK	AC Clock in	IN
28	SERVICE IN	Service In/ Digit Key	IN
29	ASPECT-SI	Aspect SI	IN
30	ASPECT CLK	Aspect Clock	OUT
31	DOLBY-SO	Dolby-SO	OUT
32	DOLBY-CLK	Dolby-Clock	OUT
33	Dolby-RQ	Dolby-RQ	OUT
34	VDD		IN
35	GND		
36	KEY IN	Key Input TV Key	IN
37	DATA-IN	Digital Data In	IN
38	DATA-CLK	Digital Clock	OUT
39	ENABLE	Digital Data Enable	OUT
40	DATA-OUT	Digital Data Out	OUT
41	DM POWER	DM Power On/Off Power: L	OUT
42	AC RELAY	AC Relay Switch On/Off On: H	OUT
43	DC POWER	Degaussing Coil switch	OUT
44	FB	BLK Output for OSD	OUT
45	B	Blue Output for OSD	OUT
46	G	Green Output for OSD	OUT
47	R	Red Output for OSD	OUT
48	V-SYNC	V-Sync Input	IN
49	H-SYNC	H-Sync Input	IN
50	WSCR		
51	WSCF		
52	VDD-A		IN
53	PXFM		
54	RESET	Reset Input	IN
55	MCFM		
56	JTRSTO		

Pin No.	Function Name	Function	IN/OUT
57	TXCF		
58	CVBS0		
59	TEST0		
60	CVBS1		
61	CVBS2		
62	GND-A		
63	DAT3	Data bus 3	IN
64	DAT4	Data bus 4	IN
65	DAT5	Data bus 5	IN
66	DAT6	Data bus 6	IN
67	DAT7	Data bus 7	IN
68	DAT2	Data bus 2	IN
69	DAT1	Data bus 1	IN
70	DAT0	Data bus 0	IN
71	ADDR0	Address bus 0	OUT
72	ADDR1	Address bus 1	OUT
73	ADDR2	Address bus 2	OUT
74	ADDR3	Address bus 3	OUT
75	ADDR4	Address bus 4	OUT
76	ADDR5	Address bus 5	OUT
77	ADDR6	Address bus 6	OUT
78	ADDR7	Address bus 7	OUT
79	ADDR12	Address bus 12	OUT
80	ADDR15	Address bus 15	OUT

● **IC808 <I/O Expander-1 Port functions>**

Pin No.	Function Name	Function	IN/OUT
1	A0	Chip Address	IN
2	A1	Chip Address	IN
3	A2	Chip Address	IN
4	P0	TV ERROR INPUT Error: L	IN
5	P1	SCART-1 Switch Active: H	IN
6	P2	SCART-2 Switch Active: H	IN
7	P3	SCART-3 Switch Active: H	IN
8	GND		
9	P4	H-Blanking On/Off Blank-On: H	OUT
10	P5	PAL/NTSC Switch	OUT
11	P6	3-Line Y/C Sep Switch	OUT
12	P7	Front AV/ Scart-3 Switch Front AV: H	OUT
13	VDAC	Not used	
14	SCL	IIC Bus SCL	IN
15	SDA	IIC Bus SDA	IN/OUT
16	VDD	Power Supply 5V	IN

● IC807 <I/O Expander-2 Port functions>

Pin No.	Function Name	Function	IN/OUT
1	A0	Chip Address	IN
2	A1	Chip Address	IN
3	A2	Chip Address	IN
4	P0	DM Power Error Error: H	IN
5	P1	Digital LED-2	OUT
6	P2	Hold Down Detect Input Error: H	IN
7	P3	On-Timer LED ON: H	OUT
8	GND		
9	P4	DSP Reset L: Rest	OUT
10	P5	Digital LED-1	OUT
11	P6	Dolby Initial Reset	OUT
12	P7	Power On/Mute Out Power On: H	OUT
13	VDAC	Not used	
14	SCL	IIC Bus SCL	IN
15	SDA	IIC Bus SDA	IN/OUT
16	VDD	Power Supply 5V	IN

● IC809 <DAC-1 Port functions>

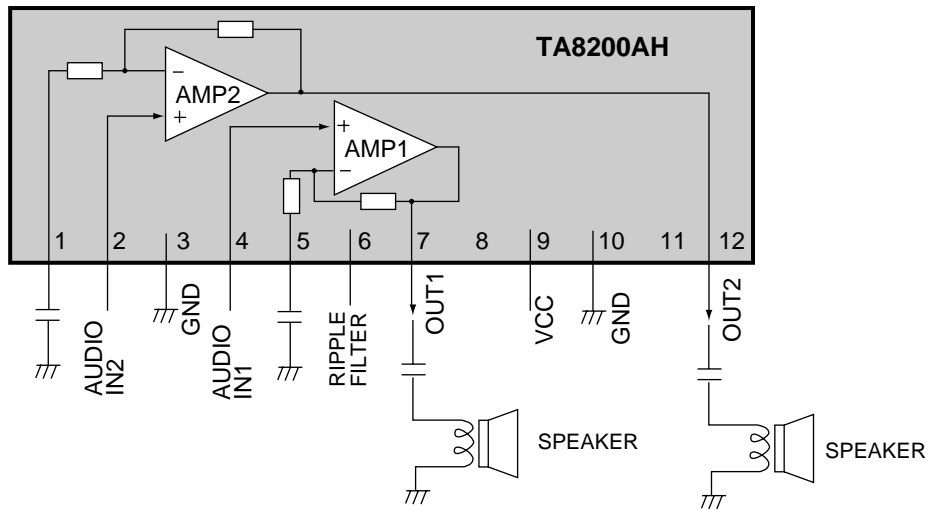
Pin No.	Function Name	Function	IN/OUT
1	SW1	50/60Hz Switch	OUT
2	SW0	Front AV Control H: Front AV	IN
3	DAC4	CS Switch	OUT
4	DAC3	Magnetic Field Correction1	OUT
5	DAC2	Raster Tilting	OUT
6	DAC1	H-Size Control DAC out	OUT
7	DAC0	Auto Wide Level	OUT
8	GND		
9	SW2	VM Switch Output	OUT
10	SW3	Normal Switch	OUT
11	A0	Chip Address	OUT
12	A1	Chip Address	OUT
13	A2	Chip Address	OUT
14	SDA	IIC BusSDA	IN/OUT
15	SCL	IIC Bus SCL	IN
16	VDD	Power Supply 9V	IN

● IC8805 <DAC-2 Port functions>

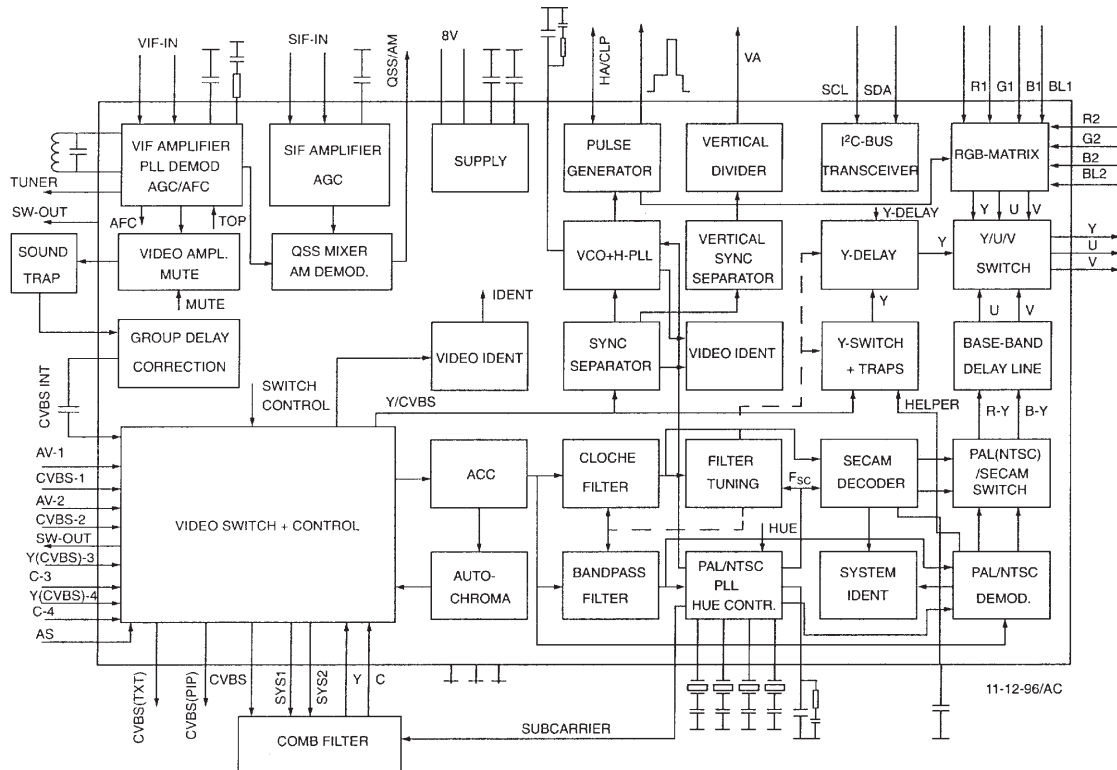
Pin No.	Function Name	Function	IN/OUT
1	SW1	NC	
2	SW0	NC	
3	DAC4	CS Switch	OUT
4	DAC3	Magnetic Field Correction2	OUT
5	DAC2	Vertical Phase	OUT
6	DAC1	Horizontal Phase	OUT
7	DAC0	Vertical Gain	OUT
8	GND		
9	SW2	NC	
10	SW3	NC	
11	A0	Chip Address	OUT
12	A1	Chip Address	OUT
13	A2	Chip Address	OUT
14	SDA	IIC BusSDA	IN/OUT
15	SCL	IIC Bus SCL	IN
16	VDD	Power Supply 9V	IN

IC BLOCK DIAGRAMS

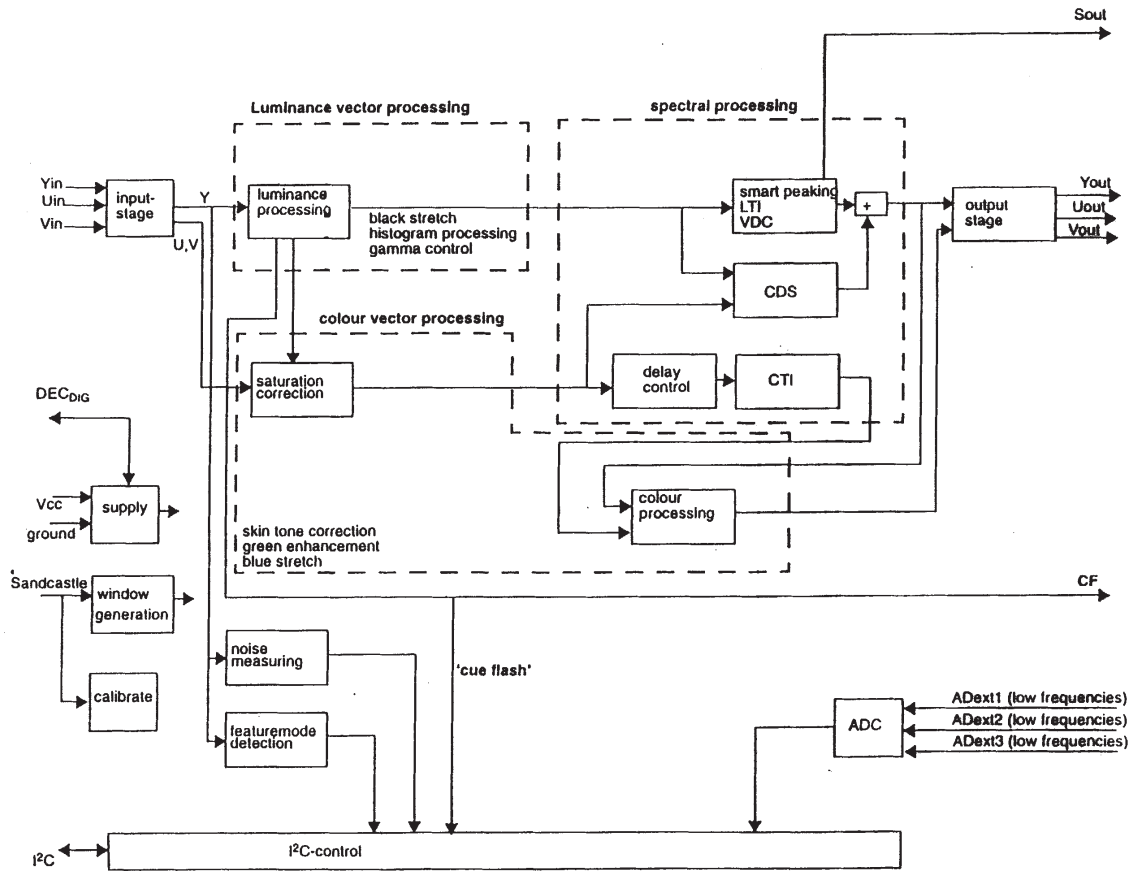
IC001 TA8200AH <Audio Output>



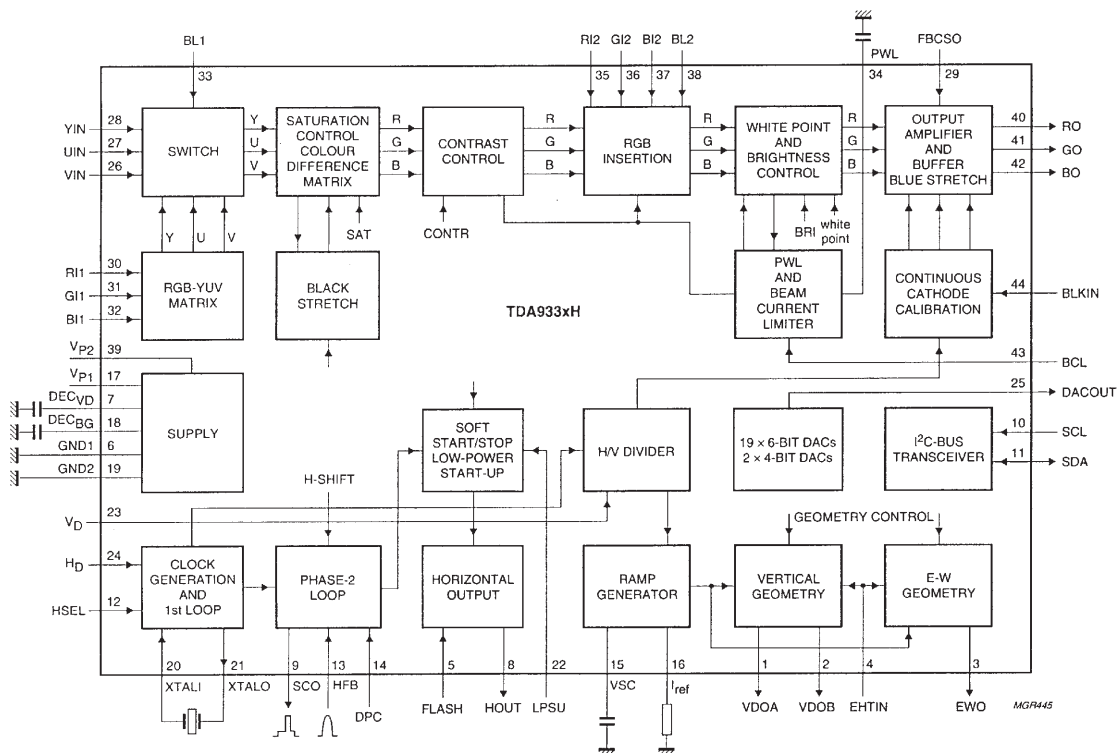
IC101 TDA9321H <IIC bus controlled TV input processor>



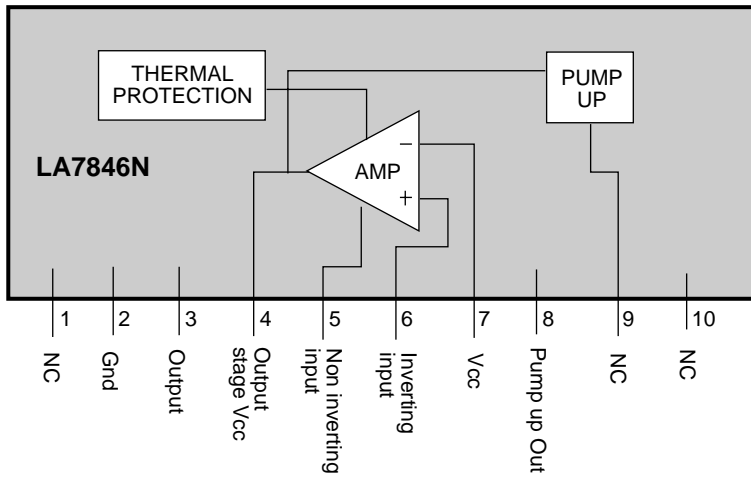
IC201 TDA9178T <YUV Picture Improvement>



IC202 TDA9330H <IIC bus controlled TV display processor>

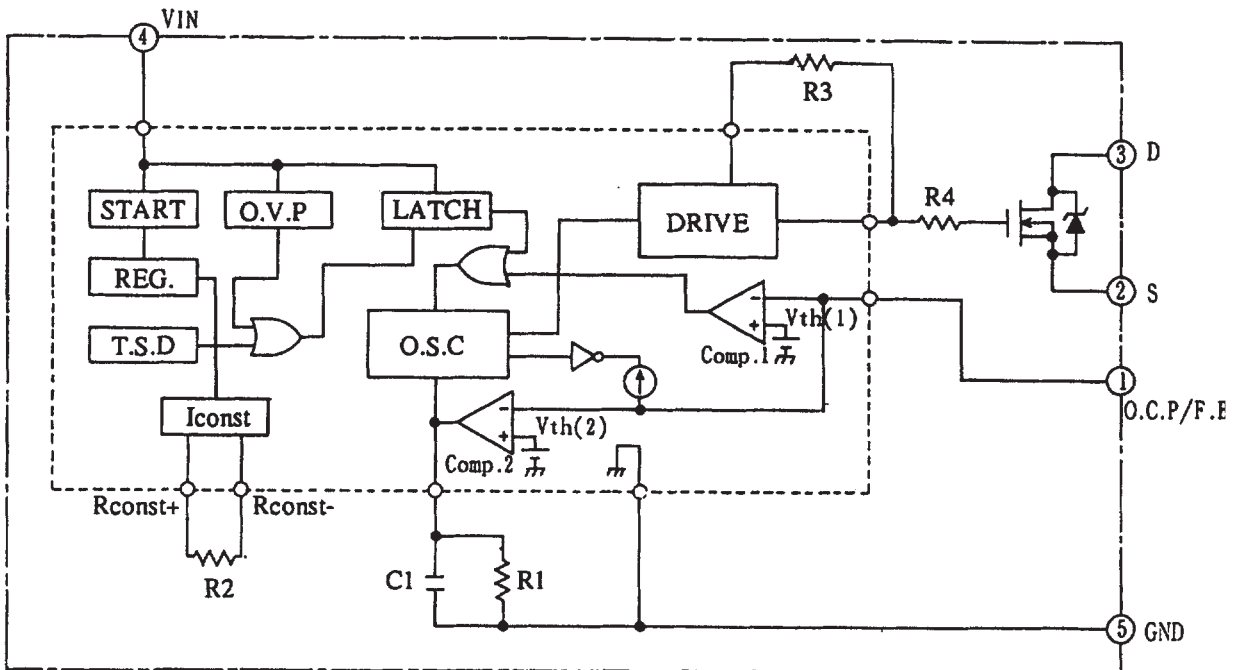


IC501 LA7846NZ <Vertical Output>

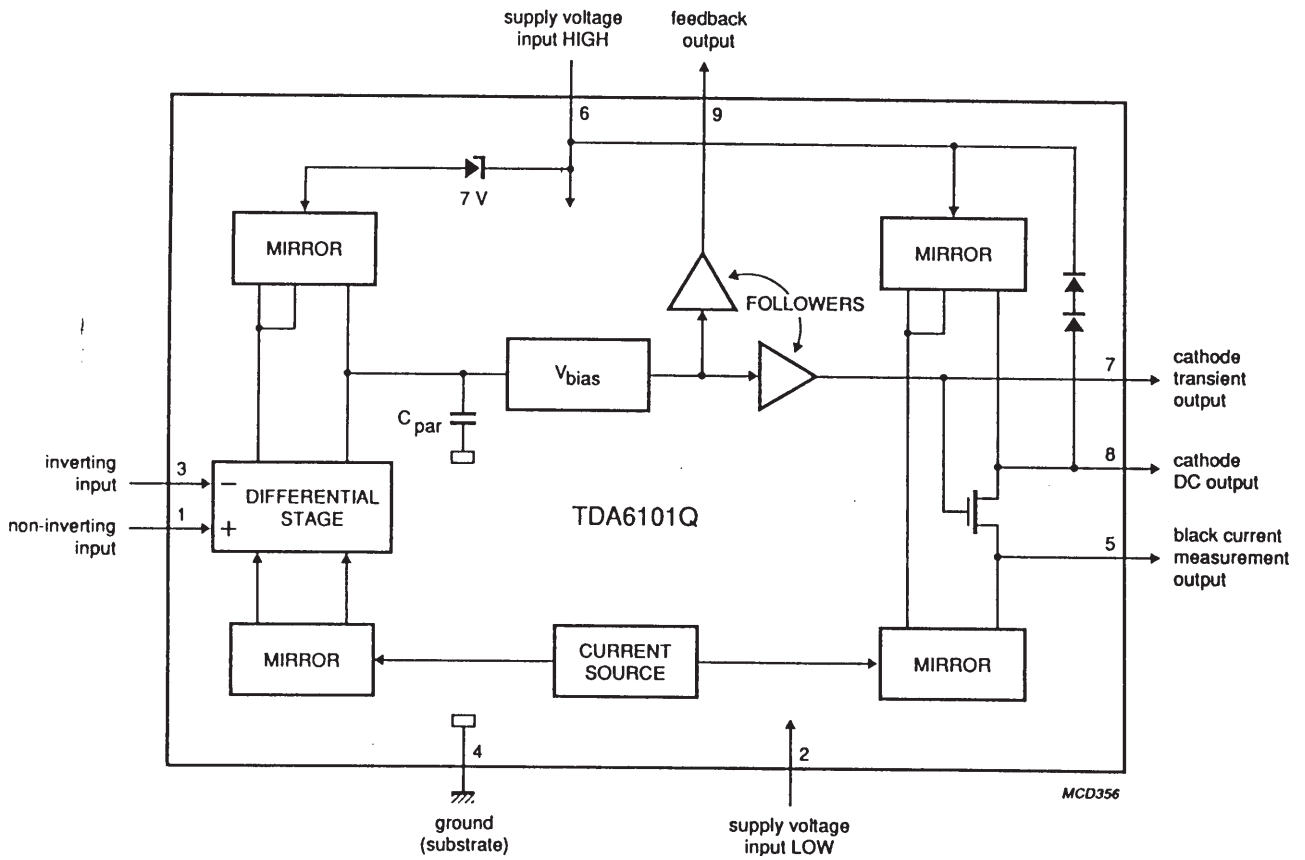


IC611 STR-F6656 <Power Switching>

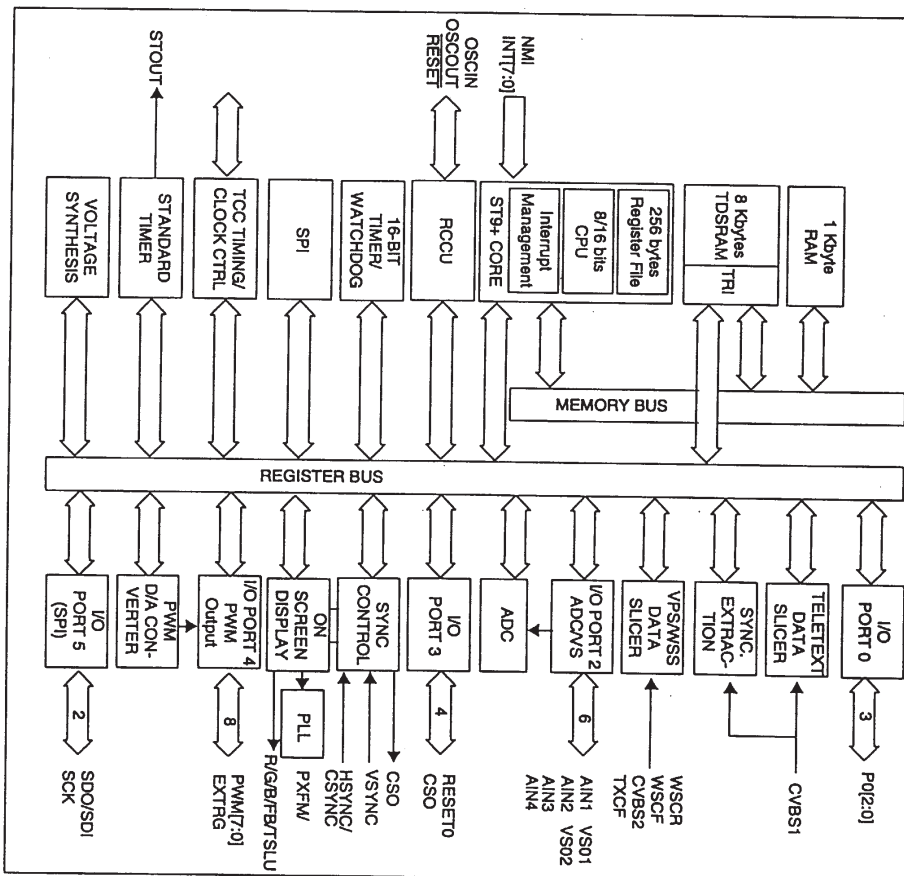
Block Diagram



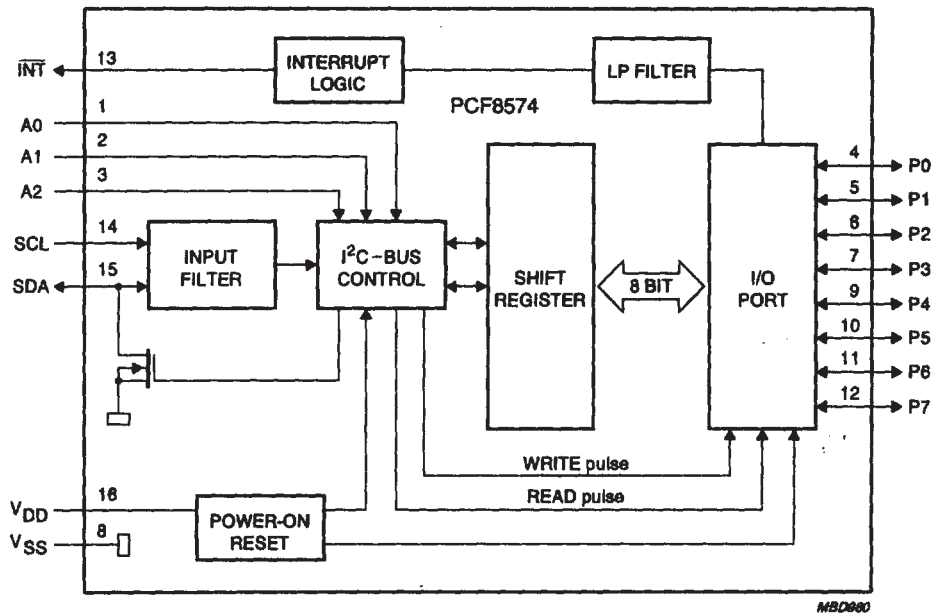
IC711, IC721, IC731 TDA6101Q <Video Output>



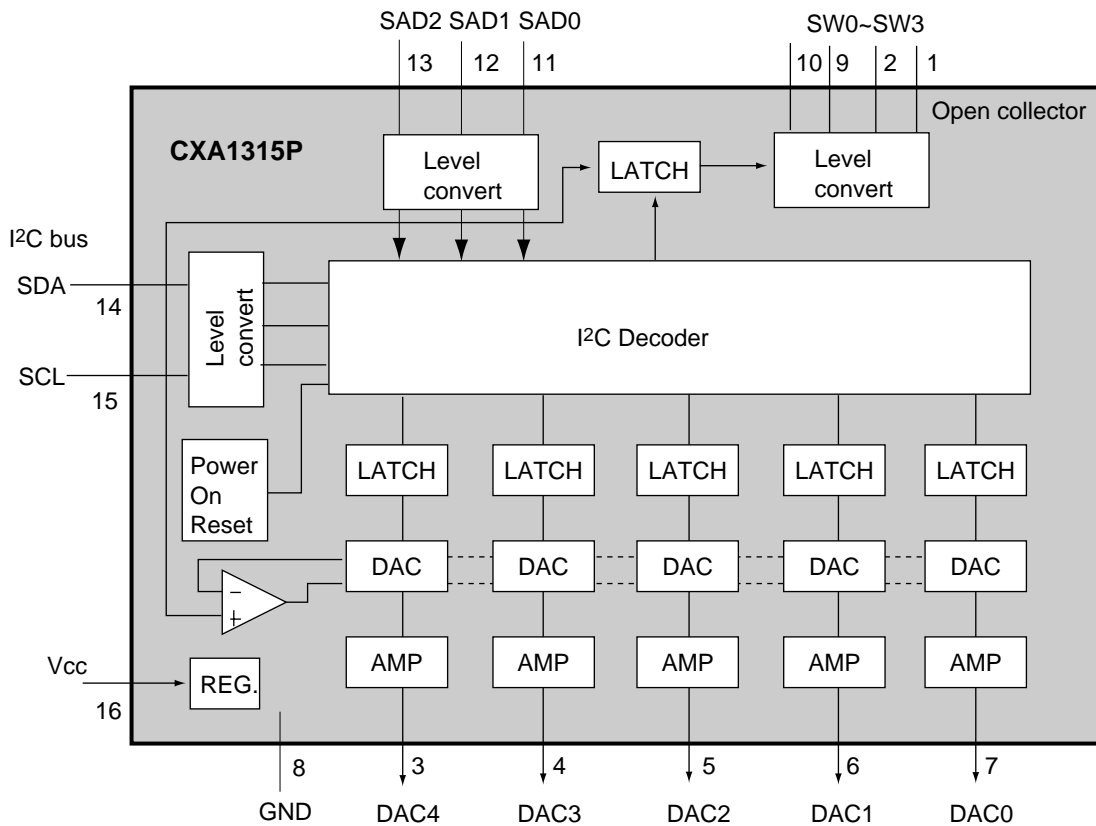
IC801 ST92R195 <CPU>



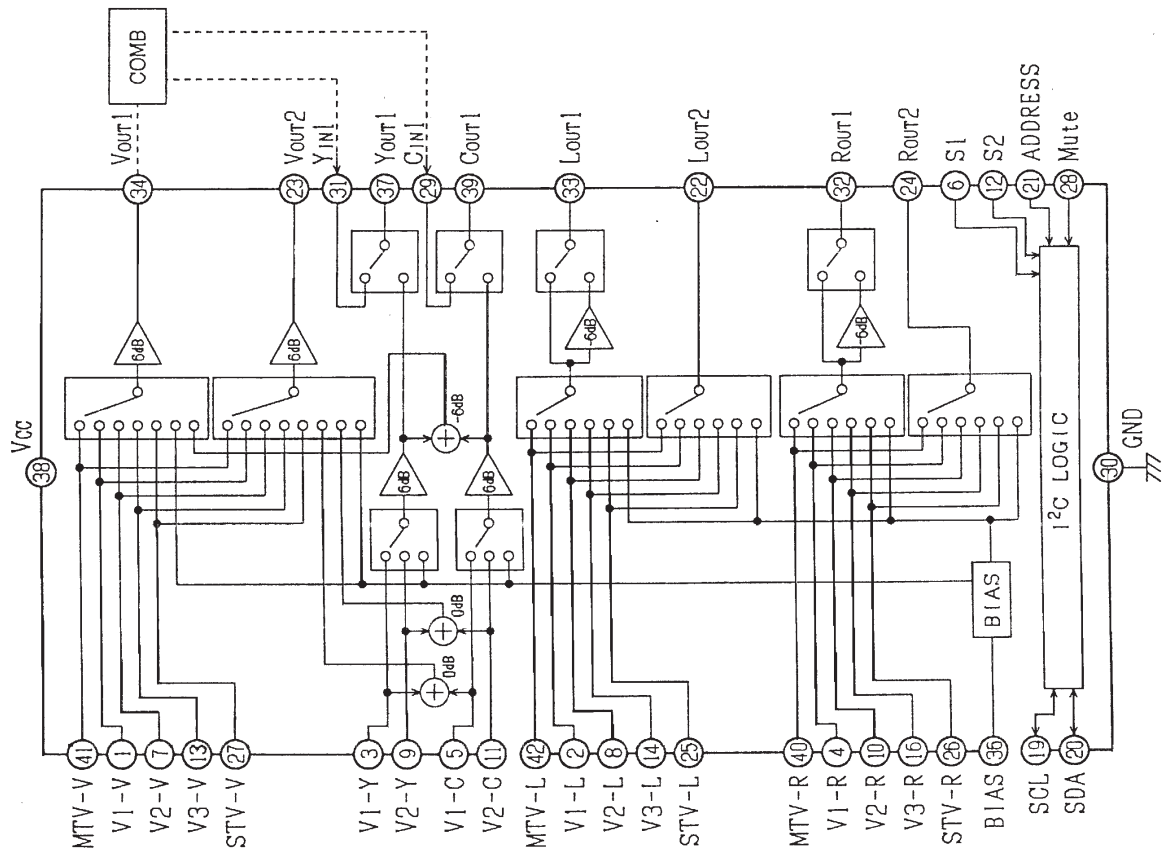
IC807, IC808 PCF8574AT <I/O Expander>



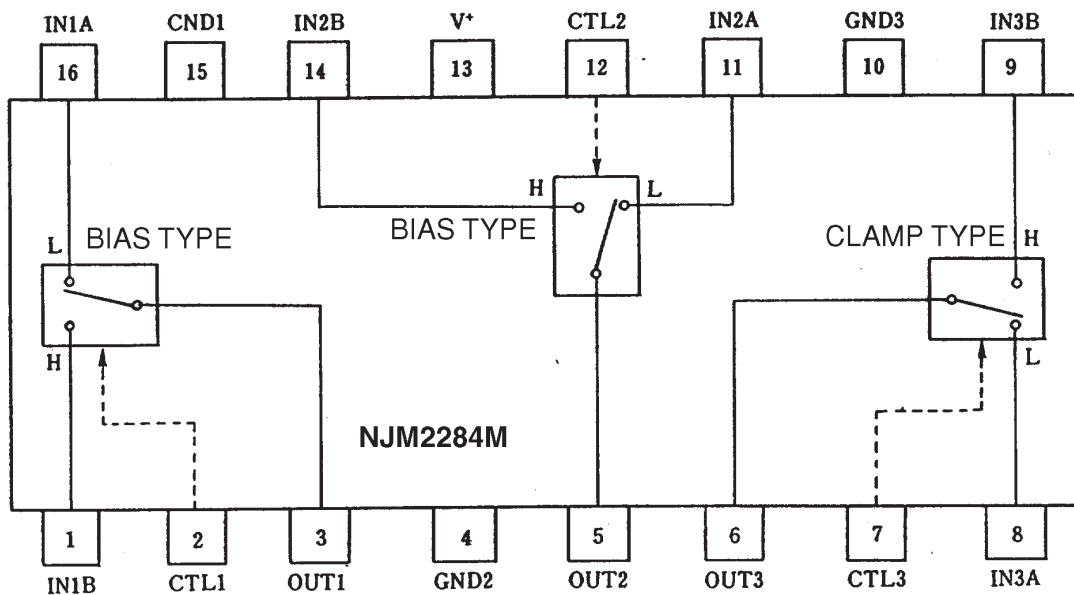
IC809 CXA1315M <DAC>



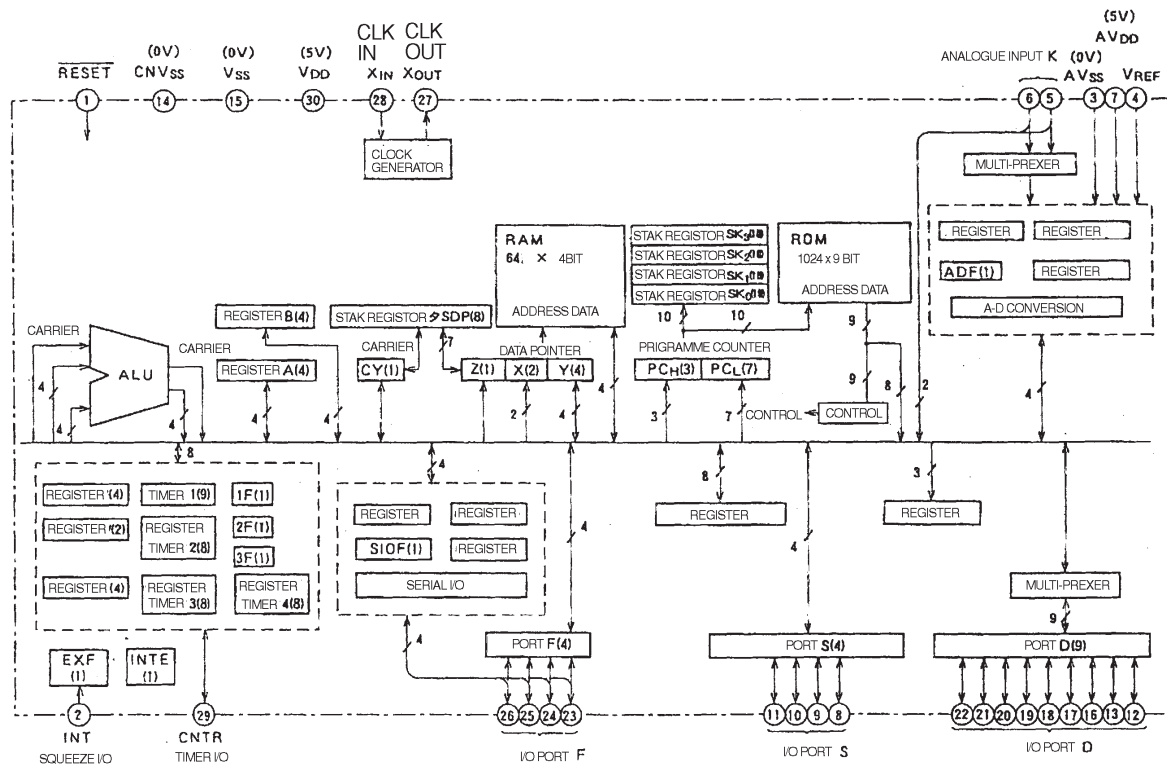
IC1201 MM1313BD <AV Selector>



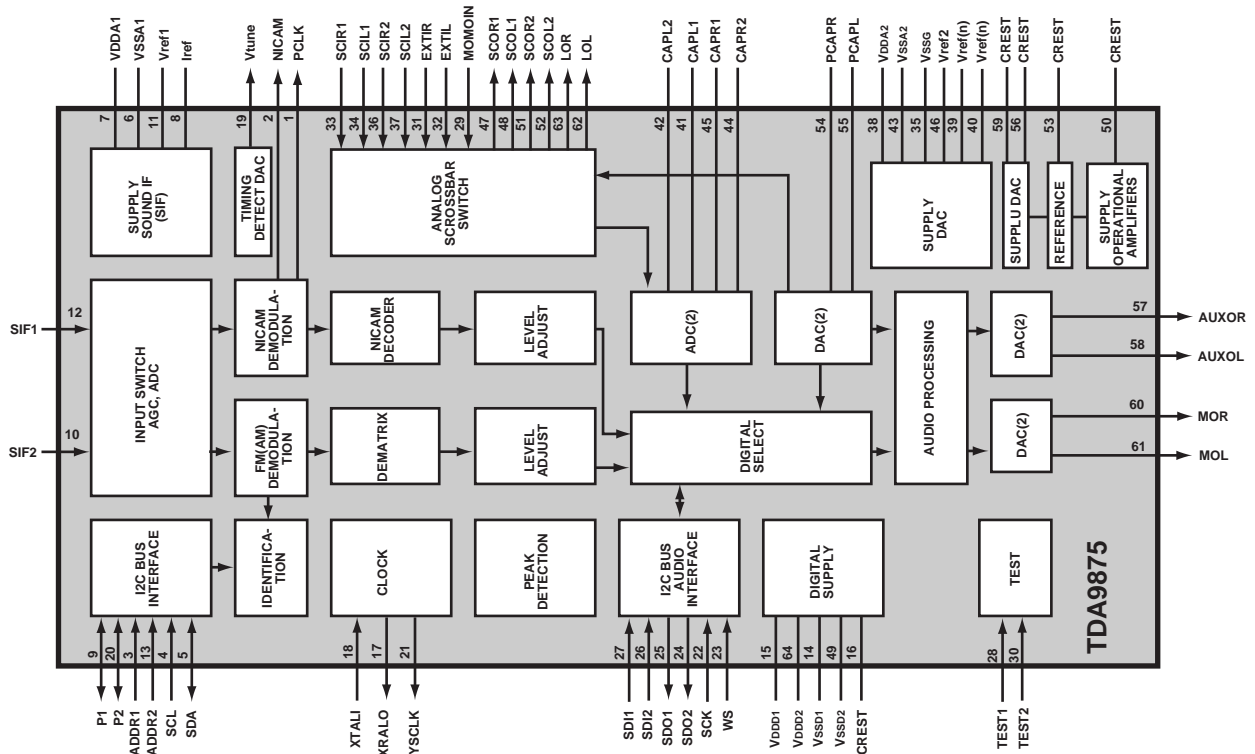
IC1202 NJM2284M <Selector>



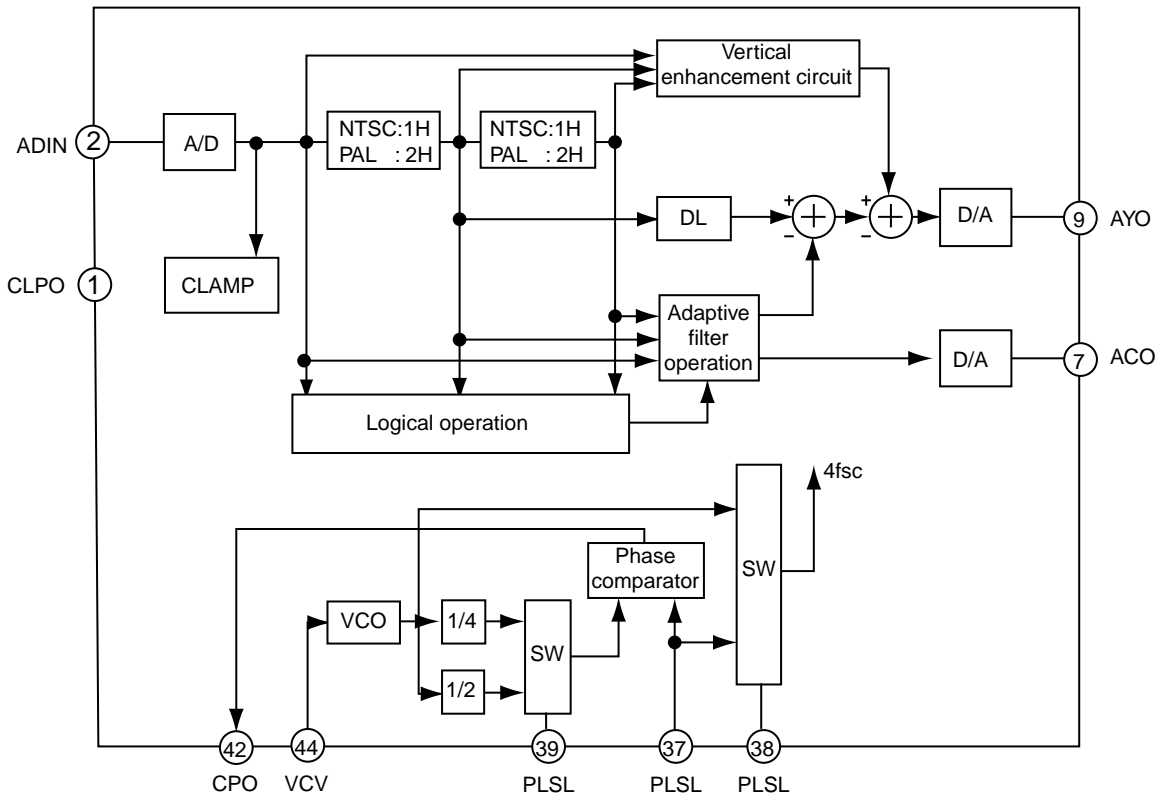
IC1303 M34225M1 <Sub CPU>



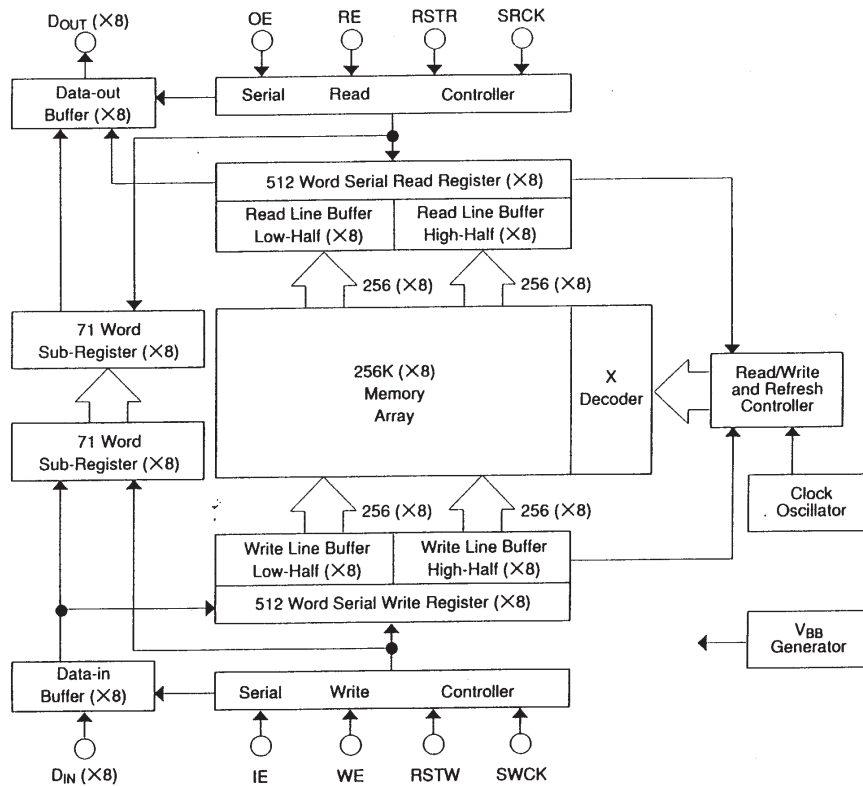
IC3451 TDA9875A <Digital TV Sound Processor>



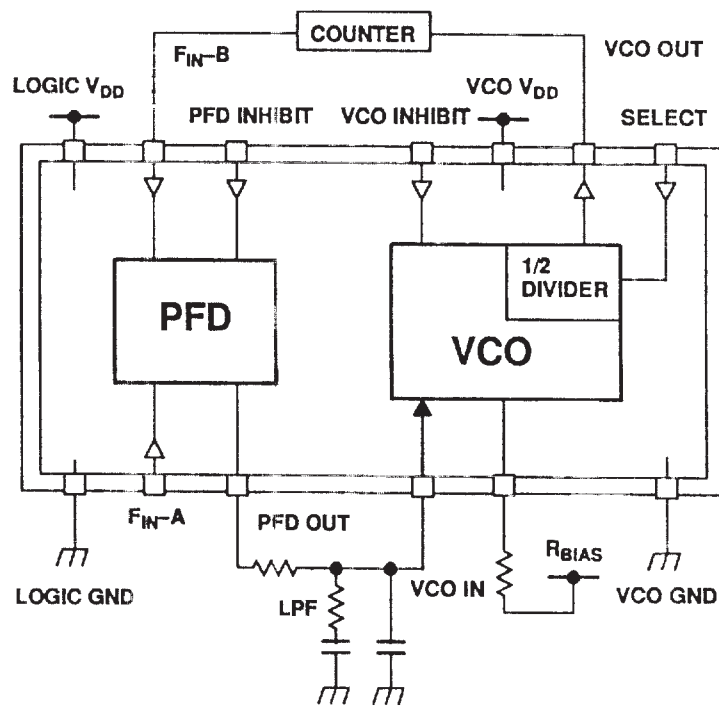
IC7101 CXD2064Q <3-Line Comb Filter>



IC7202, IC7203 MSM518221A <Field Memory>

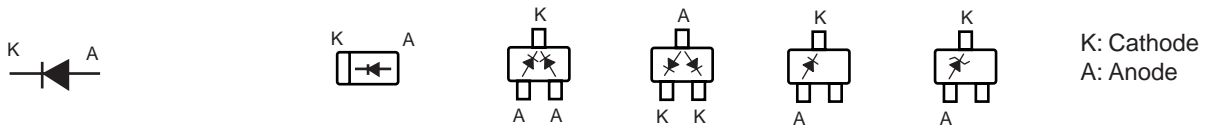


IC7204, IC7205 TLC2932 <PLL>

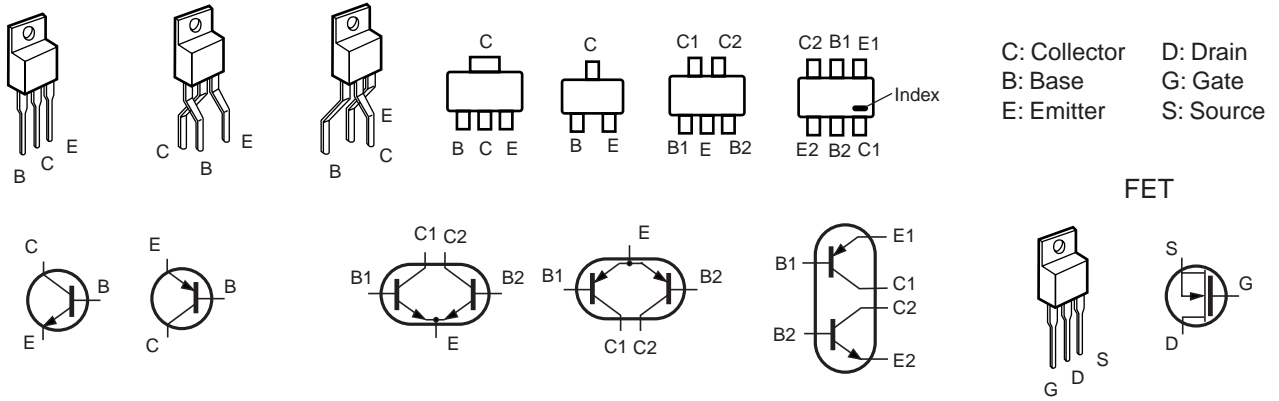


PIN DESCRIPTION OF SEMICONDUCTORS

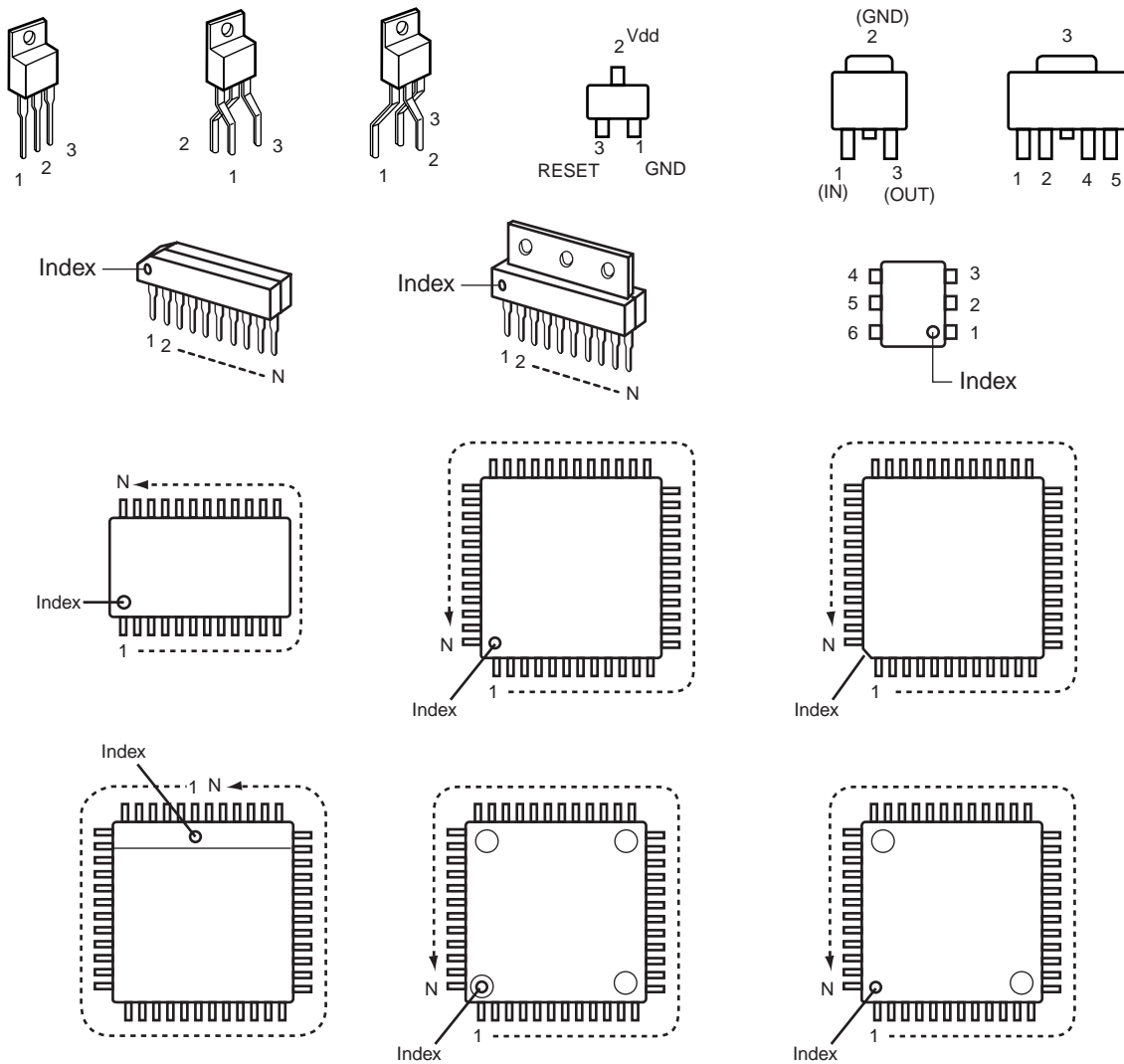
● Diode



● Transistor/FET



● IC



PARTS DESCRIPTION AND READING OF SCHEMATIC DIAGRAM

1. The parts specification of resistors, capacitors and coils are expressed in designated code. Please check the parts description by the following code table.
2. Some of transistors and diodes are indicated in mark for the substitution of parts name. Please check the parts name by the following code table.
3. Voltages and waveforms were taken with a video colour bar signal(1Vp-p at 75 ohms terminated) and controls to normal.
4. Voltages were taken with a high-impedance digital voltmeter.

Capacitor Reading

Example 2000 K K 1000 BG

Example 160 E M 10

Characteristic

Capacitance value

Excepting electric capacitors, all capacitance values of less than 1 are expressed in μF and more than 1 are in pF.

Tolerance

Type

Rated voltage

● Material table

Mark	Material
E	Electrolytic
P	Electrolytic (non-Polarised)
C	Ceramic (temperature compensation)
K	Ceramic
F	Polyester
N	Polypropylene
M	Metalised polypropylene
H	Metalised polypropylar
B	Ceramic (semiconductor)
G	Metalised polyester
Y	Composite film
S	Styrol
T	Tantalum oxide solid electrolytic
U	Organic semiconductive electrolyte
D	Electric double layer electrolytic

● Tolerance table

Mark	Tolerance
A	not specified
B	± 0.1
C	± 0.25
D	± 0.5
F	± 1
G	± 2
E	± 2.5
H	± 3
J	± 5
K	± 10
M	± 20
N	± 30
P	+100 -0
Q	+30 -10
T	+50 -10
U	+75 -10
V	+20 -10
W	+100 -10
X	+40 -20
Y	+150 -10
Z	+80 -20

Coil Reading

Example L2 C1 4R7 K N

Tolerance

Inductance value

Manufacture code

Unique code

Mark	Tolerance (nH)	Mark	Tolerance (%)
C	± 0.25	G	± 2
D	± 0.5	J	± 5
S	± 0.3	K	± 10
A	± 0.2	L	± 15
		M	± 20

Resistor Reading

Example 1/2 D J 10K B

Example 6 W K 8.2

Example 1/2 C K 1M

Characteristic

Z (Carbon fuse)

B (Non-burnable)

K indicates in $\text{K}\Omega$

M indicate in $\text{M}\Omega$

Resistance value

Tolerance (see below table)

Material (see below table)

Rated wattage (W)

Note: Resistor which is indicated with resistance value only are 1/6W carbon resistor. Resistor which is indicated with material, tolerance and value are 1/4W rated wattage.

● Material table

Mark	Material
D	Carbon
N	Metal film
S	Oxide metal film
C	Solid
G	Metal glaze
W	Wire winding or cement
H	Ceramic
F	Fusible

● Tolerance table

Mark	Tolerance
A	± 0.05
B	± 0.1
C	± 0.25
D	± 0.5
F	± 1
G	± 2
J	± 5
K	± 10
M	± 20
P	+5 -15
Z	used in 0 ohm

Diode/Transistor Type Reading

● Diode

Mark	Type number
--	1S1555,1S2473,1S2076,1SS133,DS442,1SS176
K	1S1555,1S2473,1S2076,DS442
L	1S1555,1S2076A,1S2471
M	1SS133,1SS176,GMA01
N	1S1555,1S2473,1S2076,1SS133,DS442,1SS176,1N4148
P	1S1555,1S2076A,1S2471,1N4148
R	1S1555,1S2076,1S2473,DS442,1N4148
AA	1S1555,1S2076,1S2473,1SS133,DS442,1SS176,1N4148,GMA01

● Transistor (NPN type)

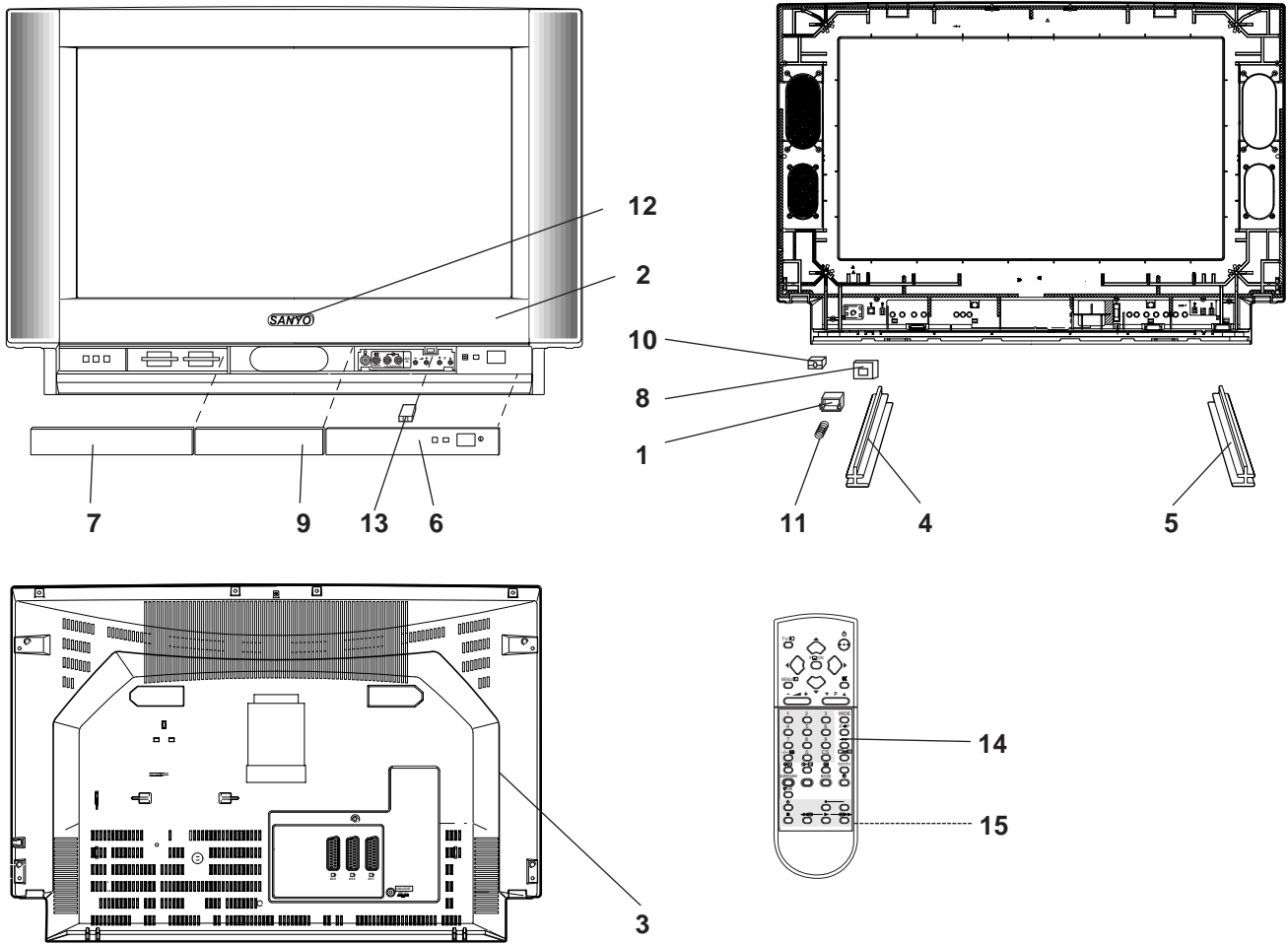
Mark	Type number					
--	2SC536	2SC945A	2SC1815	2SC1740	2SC1740S	KSC945C
A	E, F, G	P, Q, R	O, Y, G	Q, R, S	Q, R, S	
B	E, F, G	P, Q, R	O, Y, G	Q, R, S		
D	F, G	P, Q	Y, G	Q, R, S		
F	F, G	P	G	R, S		
H	F, G	P, Q	Y, G	Q, R, S		Y, G
I	E, F, G	P, Q, R	O, Y, G	Q, R, S		Y, G
G	F, G	P	G	R, S		G
AD	F, G	Q, R	Y, GR		Q, R, S	
AE	E, F, G	Q, R	O, Y, GR		Q, R, S	

● Transistor (PNP type)

Mark	Type number					
--	2SA608	2SA564A	2SA1015	2SA933	2SA933S	KSA733C
Y	E, F	Q, R	O, Y, G	Q, R		
W	F	R	Y, G	R		
V	E, F	Q, R	O, Y, G	Q, R		Y, G
U	F	R	Y, G	R		G
Z	E, F	Q, R	O, Y, G	Q, R		
AB	F	R	Y, G		Q, R	
AE	E, F	Q, R	O, Y		R	

CABINET PARTS LIST

Note: Parts order must contain Service Ref. No., Part No., and descriptions.



Key No.	Part No.	Description	Key No.	Part No.	Description
CABINET PART					
1	610 285 4886	BUTTON POWER-C2LC			
2	610 285 7511	CABINET FRONT-C2ML			
3	610 286 3215	CABINET BACK-C2MA			
4	610 266 0852	CHASSIS RAIL R- F3TV			
5	610 266 0869	CHASSIS RAIL L- F3TV			
6	610 287 8325	DOOR A- C2ML			
7	610 286 5486	DOOR B- C2ML			
8	610 285 5036	DEC IND- C2LC			
9	610 288 0014	GRILLE SP- C2LA			
10	610 253 2449	HOLDER AC CORD- GBR- D4VA			
11	610 261 3032	SPRING- E7GC			
12	645 030 7355	BADGE, SANYO*53. 5X12L53. 5			
13	610 104 2505	LATCH PUSH, 7. 9X6. 9BK			
	610 224 5721	CRT CUSHION- B3MY- UK			
ACCESSORIES					
14	645 035 9538	ASSY, REMOCON JXMFE			
15	610 279 2577	RC- BATTERY LID- JXMFE			
	610 287 8448	INSTRUCTIONS MANUAL- C2ML(1)			
	610 287 8864	INSTRUCTIONS MANUAL- C2ML(2)			
	610 287 8875	INSTRUCTIONS MANUAL- C2ML(3)			

CHASSIS ELECTRICAL PARTS LIST

Product safety should be considered when a component replacement is made in any area of a receiver. Components indicated by a Δ mark in this parts list and the circuit diagram show components whose value have special significance to product safety. It is particularly recommended that only parts specified on the following parts list be used for components replacement pointed out by the mark Δ

Note: Parts order must contain Service Ref. No., Part No., and descriptions. The main unit will be supplied without tuner and flyback transformer. They should be ordered separately.

Ref. No.	Part No.	Description	Ref. No.	Part No.	Description
<p>NOTES: Read description in the Capacitor and Resistor as follows:</p> <p>CAPACITOR CERAMIC 100P K 50V</p> <p style="margin-left: 150px;">Rated Voltage</p> <p style="margin-left: 150px;">Tolerance Symbols: Less than 10pF A : Not specified B : ± 0.1pF C : ± 0.25pF D : ± 0.5pF F : ± 1pF G : ± 2pF R : ± 0.25-0pF S : ± 0.025pF E : +0-1pF More than 10pF A : Not specified B : $\pm 0.1\%$ C : $\pm 0.25\%$ D : $\pm 0.5\%$ F : $\pm 1\%$ G : $\pm 2\%$ H : $\pm 3\%$ J : $\pm 5\%$ K : $\pm 10\%$ L : $\pm 15\%$ M : $\pm 20\%$ N : $\pm 30\%$ P : +100-0% Q : +30-10% T : +50-10% U : +75-10% V : +20-10% W : +100-10% X : +40-20% Y : +150-10% Z : +80-20%</p> <p style="margin-left: 150px;">Rated value: P=pico farad, U=micro farad</p> <p>Material: CERAMIC..... Ceramic MT-PAPER..... Metallized Paper POLYESTER..... Polyester MT-POLYEST.....Metallized Polyester POLYPRO..... Polypropylene MT-POLYPRO.....Metallized Polypropylene COMPO FILM..... Composite film MT-COMPO.....Metallized Composite STYRENE.....Styrene TA-SOLID.....Tantalum Solid AL-SOLID..... Aluminium Solid ELECT..... Electrolytic NP-ELECT..... Non-polarised Electrolytic OS-SOLID..... Aluminium Solid with Organic Semiconductive Electrolytic DL-ELECT..... Double Layered Electrolytic</p> <p>RESISTOR CARBON 4.7K J A 1/4W</p> <p style="margin-left: 150px;">Rated Wattage</p> <p style="margin-left: 150px;">Performance Symbols: A: General B: Non flammable Z: Low noise Other: Temperature coefficient</p> <p style="margin-left: 150px;">Tolerance Symbols: A: $\pm 0.05\%$ B: $\pm 0.1\%$ C: $\pm 0.25\%$ D: $\pm 0.5\%$ F: $\pm 1\%$ G: $\pm 2\%$ J: $\pm 5\%$ K: $\pm 10\%$ M: $\pm 20\%$ P: +5-15%</p> <p style="margin-left: 150px;">Rated value, ohms: K: 1,000, M: 1,000,000</p> <p>Material: CARBON..... Carbon MT-FILM..... Metal Film OXIDE-MT..... Oxide Metal Film SOLID..... Composition MT-GLAZE..... Metal Glaze WIRE WOUND... Wire Wound CERAMIC RES.. Ceramic FUSIBLE RES.... Fusible</p>			<p>Chassis construction</p> <p>CE32FWH1F-C-00</p> <p>OUT OF CIRCUIT - 013C2ML (Page 30) 1AA0B10E605B0 ASSY,PWB,MAIN-C2ML (Page 30-43) 1AA0B10E60600 ASSY,PWB,POWER DEF-C2ML (Page 43-46) 1AA0B10E607AA ASSY,PWB,DAF-C2ML (Page 46-48) 1AA0B10E607BB ASSY,PWB,FRONT-C2ML (Page 48-49) 1AA0B10E6070C ASSY,PWB,BACK TER-C2LA (Page 49-50) 1AA0B10E608A0 ASSY,PWB,SUB POWER-C2ML (Page 50-51) 1AA0B10E626B0 ASSY,PWB,CRT-C2ML (Page 51-52) 1AA0B10E641A0 ASSY,PWB,SUB DEF-C2ML (Page 52-53) 1AA0B10E6070D ASSY,PWB,RASTER CONT-C2ML (Page 53)</p> <p>.....</p> <p>OUT OF CIRCUIT - 013C2ML</p> <p>PICTURE TUBE Δ Q901 414 010 8206 CRT W76ERF031X044</p> <p>COIL Δ L901 645 041 7979 COIL, DEGAUSSING Δ L902 645 041 7979 COIL, DEGAUSSING L903 645 041 7962 COIL, DEGAUSSING-R L904 645 043 7298 DEGAUSS 20- T400- L565- L905 645 043 7298 DEGAUSS 20- T400- L565-</p> <p>MISCELLANEOUS SP901 645 002 4313 SPEAKER, 8 645 032 5687 SPEAKER, 8 SP902 645 002 4313 SPEAKER, 8 645 032 5687 SPEAKER, 8 Δ W901 645 012 7632 EURO PLUG +2P HOUSE @ 2. 1 Δ W902 610 286 4588 ASSY WIRE, GND CONEC. C2ML</p> <p>1AA0B10E605B0 ASSY,PWB,MAIN-C2ML</p> <p>TRANSISTOR Q001 405 014 4509 TR 2SC2412K T146 R 405 014 4608 TR 2SC2412K T146 S 405 015 8704 TR 2SC2812- L6- TB 405 015 8902 TR 2SC2812- L7- TB Q101 405 014 4509 TR 2SC2412K T146 R 405 014 4608 TR 2SC2412K T146 S 405 015 8704 TR 2SC2812- L6- TB 405 015 8902 TR 2SC2812- L7- TB Q1201 405 014 4509 TR 2SC2412K T146 R 405 014 4608 TR 2SC2412K T146 S 405 015 8704 TR 2SC2812- L6- TB 405 015 8902 TR 2SC2812- L7- TB Q1202 405 014 4509 TR 2SC2412K T146 R 405 014 4608 TR 2SC2412K T146 S</p>		

Ref. No.	Part No.	Description	Ref. No.	Part No.	Description
Q1205	405 015 8704	TR 2SC2812- L6- TB	Q1224	405 134 5905	TR 2SA1037AK- T146- R
	405 015 8902	TR 2SC2812- L7- TB		405 147 2205	TR 2SA1037AK- S- T146
	405 014 4509	TR 2SC2412K T146 R		405 002 0308	TR 2SA1037K T146 R
	405 014 4608	TR 2SC2412K T146 S		405 002 0407	TR 2SA1037K T146 S
Q1206	405 015 8704	TR 2SC2812- L6- TB	Q1225	405 002 6706	TR 2SA1179- M6- TB
	405 015 8902	TR 2SC2812- L7- TB		405 002 6904	TR 2SA1179- M7- TB
	405 014 4509	TR 2SC2412K T146 R		405 134 5905	TR 2SA1037AK- T146- R
	405 014 4608	TR 2SC2412K T146 S		405 147 2205	TR 2SA1037AK- S- T146
Q1207	405 015 8704	TR 2SC2812- L6- TB	Q1226	405 002 0308	TR 2SA1037K T146 R
	405 015 8902	TR 2SC2812- L7- TB		405 002 0407	TR 2SA1037K T146 S
	405 014 4509	TR 2SC2412K T146 R		405 002 6706	TR 2SA1179- M6- TB
	405 014 4608	TR 2SC2412K T146 S		405 002 6904	TR 2SA1179- M7- TB
Q1208	405 015 8704	TR 2SC2812- L6- TB	Q1227	405 134 5905	TR 2SA1037AK- T146- R
	405 015 8902	TR 2SC2812- L7- TB		405 147 2205	TR 2SA1037AK- S- T146
	405 014 4509	TR 2SC2412K T146 R		405 002 0308	TR 2SA1037K T146 R
	405 014 4608	TR 2SC2412K T146 S		405 002 0407	TR 2SA1037K T146 S
Q1211	405 015 8704	TR 2SC2812- L6- TB	Q1301	405 002 6706	TR 2SA1179- M6- TB
	405 015 8902	TR 2SC2812- L7- TB		405 002 6904	TR 2SA1179- M7- TB
	405 014 4509	TR 2SC2412K T146 R		405 014 4509	TR 2SC2412K T146 R
	405 014 4608	TR 2SC2412K T146 S		405 014 4608	TR 2SC2412K T146 S
Q1213	405 015 8704	TR 2SC2812- L6- TB	Q1302	405 015 8704	TR 2SC2812- L6- TB
	405 015 8902	TR 2SC2812- L7- TB		405 015 8902	TR 2SC2812- L7- TB
	405 014 4509	TR 2SC2412K T146 R		405 014 4509	TR 2SC2412K T146 R
	405 014 4608	TR 2SC2412K T146 S		405 014 4608	TR 2SC2412K T146 S
Q1215	405 015 8704	TR 2SC2812- L6- TB	Q1304	405 015 8704	TR 2SC2812- L6- TB
	405 015 8902	TR 2SC2812- L7- TB		405 015 8902	TR 2SC2812- L7- TB
	405 014 4509	TR 2SC2412K T146 R		405 014 4509	TR 2SC2412K T146 R
	405 014 4608	TR 2SC2412K T146 S		405 014 4608	TR 2SC2412K T146 S
Q1217	405 015 8704	TR 2SC2812- L6- TB	Q131	405 015 8704	TR 2SC2412K T146 R
	405 015 8902	TR 2SC2812- L7- TB		405 015 9701	TR 2SC2814- F4- TB
	405 014 4509	TR 2SC2412K T146 R		405 015 9909	TR 2SC2814- F5- TB
	405 014 4608	TR 2SC2412K T146 S		405 014 4509	TR 2SC2412K T146 R
Q1218	405 015 8704	TR 2SC2812- L6- TB	Q1311	405 014 4608	TR 2SC2412K T146 S
	405 015 8902	TR 2SC2812- L7- TB		405 015 8704	TR 2SC2812- L6- TB
	405 014 4509	TR 2SC2412K T146 R		405 015 8902	TR 2SC2812- L7- TB
	405 014 4608	TR 2SC2412K T146 S		405 014 4509	TR 2SC2412K T146 R
Q1219	405 015 8704	TR 2SC2812- L6- TB	Q1313	405 014 4608	TR 2SC2412K T146 S
	405 015 8902	TR 2SC2812- L7- TB		405 015 8704	TR 2SC2812- L6- TB
	405 011 8401	TR 2SC1740S- Q		405 015 8902	TR 2SC2812- L7- TB
	405 011 8500	TR 2SC1740S- R		405 014 4509	TR 2SC2412K T146 R
Q1221	405 011 8609	TR 2SC1740S- S	Q1316	405 014 4608	TR 2SC2412K T146 S
	405 012 2002	TR 2SC1815- GR		405 015 8704	TR 2SC2812- L6- TB
	405 012 2101	TR 2SC1815- 0		405 015 8902	TR 2SC2812- L7- TB
	405 012 2309	TR 2SC1815- Y		405 014 4509	TR 2SC2412K T146 R
Q1222	405 157 0505	TR 2SC536NF- NPA	Q1317	405 014 4608	TR 2SC2412K T146 S
	405 151 8705	TR 2SC536NG- NPA		405 015 8704	TR 2SC2812- L6- TB
	405 020 7501	TR 2SC945A- PA		405 015 8902	TR 2SC2812- L7- TB
	405 020 7709	TR 2SC945A- QA		405 014 4509	TR 2SC2412K T146 R
Q1223	405 020 7907	TR 2SC945A- RA	Q132	405 014 4608	TR 2SC2412K T146 S
	405 014 4509	TR 2SC2412K T146 R		405 015 8704	TR 2SC2812- L6- TB
	405 014 4608	TR 2SC2412K T146 S		405 015 8902	TR 2SC2812- L7- TB
	405 015 8704	TR 2SC2812- L6- TB		405 014 4519	TR 2SC2412KT146/R
Q1224	405 015 8902	TR 2SC2812- L7- TB	Q133	405 014 4519	TR 2SC2412KT146/R
	405 011 8401	TR 2SC1740S- Q	Q134	405 014 4509	TR 2SC2412K T146 R
	405 011 8500	TR 2SC1740S- R	405 014 4608	TR 2SC2412K T146 S	
	405 011 8609	TR 2SC1740S- S	405 015 8704	TR 2SC2812- L6- TB	
Q1225	405 012 2002	TR 2SC1815- GR	Q136	405 015 8902	TR 2SC2812- L7- TB
	405 012 2101	TR 2SC1815- 0		405 014 4509	TR 2SC2412K T146 R
	405 012 2309	TR 2SC1815- Y		405 014 4608	TR 2SC2412K T146 S
	405 157 0505	TR 2SC536NF- NPA		405 015 8704	TR 2SC2812- L6- TB
Q1226	405 151 8705	TR 2SC536NG- NPA	Q137	405 015 8902	TR 2SC2812- L7- TB
	405 020 7501	TR 2SC945A- PA		405 134 5905	TR 2SA1037AK- T146- R
	405 020 7709	TR 2SC945A- QA		405 147 2205	TR 2SA1037AK- S- T146
	405 020 7907	TR 2SC945A- RA		405 002 0308	TR 2SA1037K T146 R
Q1227	405 014 4509	TR 2SC2412K T146 R	Q138	405 002 0407	TR 2SA1037K T146 S
	405 014 4608	TR 2SC2412K T146 S		405 002 6706	TR 2SA1179- M6- TB
	405 015 8704	TR 2SC2812- L6- TB		405 002 6904	TR 2SA1179- M7- TB
	405 015 8902	TR 2SC2812- L7- TB			

Ref. No.	Part No.	Description	Ref. No.	Part No.	Description
Q139	405 134 5905	TR 2SA1037AK-T146-R		405 147 2205	TR 2SA1037AK-S-T146
	405 147 2205	TR 2SA1037AK-S-T146		405 002 0308	TR 2SA1037K T146 R
	405 002 0308	TR 2SA1037K T146 R		405 002 0407	TR 2SA1037K T146 S
	405 002 0407	TR 2SA1037K T146 S		405 002 6706	TR 2SA1179-M6-TB
	405 002 6706	TR 2SA1179-M6-TB		405 002 6904	TR 2SA1179-M7-TB
	405 002 6904	TR 2SA1179-M7-TB	Q202	405 134 5905	TR 2SA1037AK-T146-R
Q141	405 014 4509	TR 2SC2412K T146 R		405 147 2205	TR 2SA1037AK-S-T146
	405 014 4608	TR 2SC2412K T146 S		405 002 0308	TR 2SA1037K T146 R
	405 015 8704	TR 2SC2812-L6-TB		405 002 0407	TR 2SA1037K T146 S
	405 015 8902	TR 2SC2812-L7-TB		405 002 6706	TR 2SA1179-M6-TB
Q142	405 134 5905	TR 2SA1037AK-T146-R		405 002 6904	TR 2SA1179-M7-TB
	405 147 2205	TR 2SA1037AK-S-T146	Q203	405 134 5905	TR 2SA1037AK-T146-R
	405 002 0308	TR 2SA1037K T146 R		405 147 2205	TR 2SA1037AK-S-T146
	405 002 0407	TR 2SA1037K T146 S		405 002 0308	TR 2SA1037K T146 R
	405 002 6706	TR 2SA1179-M6-TB		405 002 0407	TR 2SA1037K T146 S
	405 002 6904	TR 2SA1179-M7-TB		405 002 6706	TR 2SA1179-M6-TB
Q1803	405 134 5905	TR 2SA1037AK-T146-R		405 002 6904	TR 2SA1179-M7-TB
	405 147 2205	TR 2SA1037AK-S-T146	Q233	405 134 5905	TR 2SA1037AK-T146-R
	405 002 0308	TR 2SA1037K T146 R		405 147 2205	TR 2SA1037AK-S-T146
	405 002 0407	TR 2SA1037K T146 S		405 002 0308	TR 2SA1037K T146 R
	405 002 6706	TR 2SA1179-M6-TB		405 002 0407	TR 2SA1037K T146 S
	405 002 6904	TR 2SA1179-M7-TB		405 002 6706	TR 2SA1179-M6-TB
Q1804	405 142 7205	TR DTC124TKA-T146		405 002 6904	TR 2SA1179-M7-TB
Q1806	405 134 5905	TR 2SA1037AK-T146-R	Q234	405 014 4509	TR 2SC2412K T146 R
	405 147 2205	TR 2SA1037AK-S-T146		405 014 4608	TR 2SC2412K T146 S
	405 002 0308	TR 2SA1037K T146 R		405 015 8704	TR 2SC2812-L6-TB
	405 002 0407	TR 2SA1037K T146 S		405 015 8902	TR 2SC2812-L7-TB
	405 002 6706	TR 2SA1179-M6-TB	Q235	405 014 4509	TR 2SC2412K T146 R
	405 002 6904	TR 2SA1179-M7-TB		405 014 4608	TR 2SC2412K T146 S
Q1807	405 142 7205	TR DTC124TKA-T146		405 015 8704	TR 2SC2812-L6-TB
Q181	405 014 4509	TR 2SC2412K T146 R		405 015 8902	TR 2SC2812-L7-TB
	405 014 4608	TR 2SC2412K T146 S	Q236	405 014 4509	TR 2SC2412K T146 R
	405 015 8704	TR 2SC2812-L6-TB		405 014 4608	TR 2SC2412K T146 S
	405 015 8902	TR 2SC2812-L7-TB		405 015 8704	TR 2SC2812-L6-TB
Q1812	405 014 4509	TR 2SC2412K T146 R		405 015 8902	TR 2SC2812-L7-TB
	405 014 4608	TR 2SC2412K T146 S	Q237	405 014 4509	TR 2SC2412K T146 R
	405 015 8704	TR 2SC2812-L6-TB		405 014 4608	TR 2SC2412K T146 S
	405 015 8902	TR 2SC2812-L7-TB		405 015 8704	TR 2SC2812-L6-TB
Q1813	405 014 4509	TR 2SC2412K T146 R		405 015 8902	TR 2SC2812-L7-TB
	405 014 4608	TR 2SC2412K T146 S	Q301	405 014 4509	TR 2SC2412K T146 R
	405 015 8704	TR 2SC2812-L6-TB		405 014 4608	TR 2SC2412K T146 S
	405 015 8902	TR 2SC2812-L7-TB		405 015 8704	TR 2SC2812-L6-TB
Q182	405 011 8401	TR 2SC1740S-Q		405 015 8902	TR 2SC2812-L7-TB
	405 011 8500	TR 2SC1740S-R	Q302	405 014 4509	TR 2SC2412K T146 R
	405 011 8609	TR 2SC1740S-S		405 014 4608	TR 2SC2412K T146 S
	405 012 2002	TR 2SC1815-GR		405 015 8704	TR 2SC2812-L6-TB
	405 012 2309	TR 2SC1815-Y		405 015 8902	TR 2SC2812-L7-TB
	405 157 0505	TR 2SC536NF-NPA	Q303	405 134 5905	TR 2SA1037AK-T146-R
	405 151 8705	TR 2SC536NG-NPA		405 147 2205	TR 2SA1037AK-S-T146
	405 020 7501	TR 2SC945A-PA		405 002 0308	TR 2SA1037K T146 R
	405 020 7709	TR 2SC945A-QA		405 002 0407	TR 2SA1037K T146 S
Q1841	405 134 5905	TR 2SA1037AK-T146-R		405 002 6706	TR 2SA1179-M6-TB
	405 147 2205	TR 2SA1037AK-S-T146		405 002 6904	TR 2SA1179-M7-TB
	405 002 0308	TR 2SA1037K T146 R	Q304	405 014 4509	TR 2SC2412K T146 R
	405 002 0407	TR 2SA1037K T146 S		405 014 4608	TR 2SC2412K T146 S
	405 002 6706	TR 2SA1179-M6-TB		405 015 8704	TR 2SC2812-L6-TB
	405 002 6904	TR 2SA1179-M7-TB		405 015 8902	TR 2SC2812-L7-TB
Q1842	405 134 5905	TR 2SA1037AK-T146-R	Q305	405 134 5905	TR 2SA1037AK-T146-R
	405 147 2205	TR 2SA1037AK-S-T146		405 147 2205	TR 2SA1037AK-S-T146
	405 002 0308	TR 2SA1037K T146 R		405 002 0308	TR 2SA1037K T146 R
	405 002 0407	TR 2SA1037K T146 S		405 002 0407	TR 2SA1037K T146 S
	405 002 6706	TR 2SA1179-M6-TB		405 002 6706	TR 2SA1179-M6-TB
	405 002 6904	TR 2SA1179-M7-TB		405 002 6904	TR 2SA1179-M7-TB
Q1843	405 134 5905	TR 2SA1037AK-T146-R	Q306	405 134 5905	TR 2SA1037AK-T146-R
	405 147 2205	TR 2SA1037AK-S-T146		405 147 2205	TR 2SA1037AK-S-T146
	405 002 0308	TR 2SA1037K T146 R		405 002 0308	TR 2SA1037K T146 R
	405 002 0407	TR 2SA1037K T146 S		405 002 0407	TR 2SA1037K T146 S
	405 002 6706	TR 2SA1179-M6-TB		405 002 6706	TR 2SA1179-M6-TB
	405 002 6904	TR 2SA1179-M7-TB		405 002 6904	TR 2SA1179-M7-TB
Q201	405 134 5905	TR 2SA1037AK-T146-R	Q307	405 014 4509	TR 2SC2412K T146 R

Ref. No.	Part No.	Description	Ref. No.	Part No.	Description
	405 014 4608	TR 2SC2412K T146 S		405 147 2205	TR 2SA1037AK-S-T146
	405 015 8704	TR 2SC2812-L6-TB		405 002 0308	TR 2SA1037K T146 R
	405 015 8902	TR 2SC2812-L7-TB		405 002 0407	TR 2SA1037K T146 S
Q308	405 134 5905	TR 2SA1037AK-T146-R		405 002 6706	TR 2SA1179-M6-TB
	405 147 2205	TR 2SA1037AK-S-T146		405 002 6904	TR 2SA1179-M7-TB
	405 002 0308	TR 2SC2812-L6-TB	Q7032	405 014 4509	TR 2SC2412K T146 R
	405 002 0407	TR 2SA1037K T146 S		405 014 4608	TR 2SC2412K T146 S
	405 002 6706	TR 2SA1179-M6-TB		405 015 8704	TR 2SC2812-L6-TB
	405 002 6904	TR 2SA1179-M7-TB		405 015 8902	TR 2SC2812-L7-TB
Q351	405 014 4509	TR 2SC2412K T146 R	Q7041	405 014 4509	TR 2SC2412K T146 R
	405 014 4608	TR 2SC2412K T146 S		405 014 4608	TR 2SC2412K T146 S
	405 015 8704	TR 2SC2812-L6-TB		405 015 8704	TR 2SC2812-L6-TB
	405 015 8902	TR 2SC2812-L7-TB		405 015 8902	TR 2SC2812-L7-TB
Q352	405 014 4509	TR 2SC2412K T146 R	Q7043	405 014 4509	TR 2SC2412K T146 R
	405 014 4608	TR 2SC2412K T146 S		405 014 4608	TR 2SC2412K T146 S
	405 015 8704	TR 2SC2812-L6-TB		405 015 8704	TR 2SC2812-L6-TB
	405 015 8902	TR 2SC2812-L7-TB		405 015 8902	TR 2SC2812-L7-TB
Q353	405 014 4509	TR 2SC2412K T146 R	Q7051	405 014 4509	TR 2SC2412K T146 R
	405 014 4608	TR 2SC2412K T146 S		405 014 4608	TR 2SC2412K T146 S
	405 015 8704	TR 2SC2812-L6-TB		405 015 8704	TR 2SC2812-L6-TB
	405 015 8902	TR 2SC2812-L7-TB		405 015 8902	TR 2SC2812-L7-TB
Q354	405 014 4509	TR 2SC2412K T146 R	Q7052	405 014 4509	TR 2SC2412K T146 R
	405 014 4608	TR 2SC2412K T146 S		405 014 4608	TR 2SC2412K T146 S
	405 015 8704	TR 2SC2812-L6-TB		405 015 8704	TR 2SC2812-L6-TB
	405 015 8902	TR 2SC2812-L7-TB		405 015 8902	TR 2SC2812-L7-TB
Q355	405 014 4509	TR 2SC2412K T146 R	Q7053	405 134 5905	TR 2SA1037AK-T146-R
	405 014 4608	TR 2SC2412K T146 S		405 147 2205	TR 2SA1037AK-S-T146
	405 015 8704	TR 2SC2812-L6-TB		405 002 0308	TR 2SA1037K T146 R
	405 015 8902	TR 2SC2812-L7-TB		405 002 0407	TR 2SA1037K T146 S
Q356	405 014 4509	TR 2SC2412K T146 R		405 002 6706	TR 2SA1179-M6-TB
	405 014 4608	TR 2SC2412K T146 S		405 002 6904	TR 2SA1179-M7-TB
	405 015 8704	TR 2SC2812-L6-TB	Q7054	405 134 5905	TR 2SA1037AK-T146-R
	405 015 8902	TR 2SC2812-L7-TB		405 147 2205	TR 2SA1037AK-S-T146
Q357	405 134 5905	TR 2SA1037AK-T146-R		405 002 0308	TR 2SA1037K T146 R
	405 147 2205	TR 2SA1037AK-S-T146		405 002 0407	TR 2SA1037K T146 S
	405 002 0308	TR 2SA1037K T146 R		405 002 6706	TR 2SA1179-M6-TB
	405 002 0407	TR 2SA1037K T146 S		405 002 6904	TR 2SA1179-M7-TB
	405 002 6706	TR 2SA1179-M6-TB	Q7055	405 014 4509	TR 2SC2412K T146 R
	405 002 6904	TR 2SA1179-M7-TB		405 014 4608	TR 2SC2412K T146 S
Q366	405 134 5905	TR 2SA1037AK-T146-R		405 015 8704	TR 2SC2812-L6-TB
	405 147 2205	TR 2SA1037AK-S-T146		405 015 8902	TR 2SC2812-L7-TB
	405 002 0308	TR 2SA1037K T146 R	Q7057	405 014 4509	TR 2SC2412K T146 R
	405 002 0407	TR 2SA1037K T146 S		405 014 4608	TR 2SC2412K T146 S
	405 002 6706	TR 2SA1179-M6-TB		405 015 8704	TR 2SC2812-L6-TB
	405 002 6904	TR 2SA1179-M7-TB		405 015 8902	TR 2SC2812-L7-TB
Q7004	405 014 4509	TR 2SC2412K T146 R	Q7058	405 134 5905	TR 2SA1037AK-T146-R
	405 014 4608	TR 2SC2412K T146 S		405 147 2205	TR 2SA1037AK-S-T146
	405 015 8704	TR 2SC2812-L6-TB		405 002 0308	TR 2SA1037K T146 R
	405 015 8902	TR 2SC2812-L7-TB		405 002 0407	TR 2SA1037K T146 S
Q7005	405 014 4509	TR 2SC2412K T146 R		405 002 6706	TR 2SA1179-M6-TB
	405 014 4608	TR 2SC2412K T146 S		405 002 6904	TR 2SA1179-M7-TB
	405 015 8704	TR 2SC2812-L6-TB	Q7059	405 134 5905	TR 2SA1037AK-T146-R
	405 015 8902	TR 2SC2812-L7-TB		405 147 2205	TR 2SA1037AK-S-T146
Q7006	405 134 5905	TR 2SA1037AK-T146-R		405 002 0308	TR 2SA1037K T146 R
	405 147 2205	TR 2SA1037AK-S-T146		405 002 0407	TR 2SA1037K T146 S
	405 002 0308	TR 2SA1037K T146 R		405 002 6706	TR 2SA1179-M6-TB
	405 002 0407	TR 2SA1037K T146 S		405 002 6904	TR 2SA1179-M7-TB
	405 002 6706	TR 2SA1179-M6-TB	Q7118	405 044 7808	TR 2SC3689-TB
	405 002 6904	TR 2SA1179-M7-TB	Q7211	405 134 5925	TR 2SA1037AK-T146-R
Q7007	405 014 4509	TR 2SC2412K T146 R	Q7221	405 134 5925	TR 2SA1037AK-T146-R
	405 014 4608	TR 2SC2412K T146 S	Q7301	405 014 4519	TR 2SC2412KT146/R
	405 015 8704	TR 2SC2812-L6-TB	Q7302	405 014 4519	TR 2SC2412KT146/R
	405 015 8902	TR 2SC2812-L7-TB	Q7303	405 134 5925	TR 2SA1037AK-T146-R
Q7008	405 134 5905	TR 2SA1037AK-T146-R	Q7304	405 134 5925	TR 2SA1037AK-T146-R
	405 147 2205	TR 2SA1037AK-S-T146	Q7311	405 014 4519	TR 2SC2412KT146/R
	405 002 0308	TR 2SA1037K T146 R	Q7312	405 014 4519	TR 2SC2412KT146/R
	405 002 0407	TR 2SA1037K T146 S	Q7313	405 134 5925	TR 2SA1037AK-T146-R
	405 002 6706	TR 2SA1179-M6-TB	Q7314	405 134 5925	TR 2SA1037AK-T146-R
	405 002 6904	TR 2SA1179-M7-TB	Q7315	405 014 4519	TR 2SC2412KT146/R
Q7031	405 134 5905	TR 2SA1037AK-T146-R	Q7321	405 014 4519	TR 2SC2412KT146/R

Ref. No.	Part No.	Description	Ref. No.	Part No.	Description
Q7322	405 014 4519	TR 2SC2412KT146/R	CAPACITOR		
Q7323	405 134 5925	TR 2SA1037AK-T146-R	CEMC2	403 009 3001	CERAMI C 100P J 50V
Q7324	405 134 5925	TR 2SA1037AK-T146-R	CEMC3	403 157 6414	CERAMI C GRM39X7R331K50PT
Q7325	405 014 4519	TR 2SC2412KT146/R	CZ101TM	403 072 5318	CERAMI C 2700P K 50V
Q7351	405 014 4519	TR 2SC2412KT146/R	C001	403 043 6006	ELECT 330U M 16V
Q7352	405 014 4519	TR 2SC2412KT146/R	C002	403 168 6509	MT-POLYEST 0.47U J 50V
Q7353	405 134 5925	TR 2SA1037AK-T146-R		403 256 0848	MT-COMPO 0.47U J 50V
Q7354	405 134 5925	TR 2SA1037AK-T146-R		403 264 2207	MT-COMPO 0.47U J 50V
Q7361	405 014 4519	TR 2SC2412KT146/R	C003	403 155 2101	CERAMI C 1500P K 50V
Q7362	405 014 4519	TR 2SC2412KT146/R	C005	403 298 9609	CERAMI C 0.1U K 16V
Q7363	405 134 5925	TR 2SA1037AK-T146-R	C006	403 043 6006	ELECT 330U M 16V
Q7364	405 134 5925	TR 2SA1037AK-T146-R	C007	403 168 6509	MT-POLYEST 0.47U J 50V
Q7371	405 014 4519	TR 2SC2412KT146/R		403 256 0848	MT-COMPO 0.47U J 50V
Q7372	405 014 4519	TR 2SC2412KT146/R		403 264 2207	MT-COMPO 0.47U J 50V
Q7373	405 134 5925	TR 2SA1037AK-T146-R	C008	403 155 2101	CERAMI C 1500P K 50V
Q7374	405 134 5925	TR 2SA1037AK-T146-R	C011	403 047 3100	ELECT 47U M 25V
Q801	405 149 1701	TR DTC143TKA T146	C012	403 047 3100	ELECT 47U M 25V
Q802	405 149 1701	TR DTC143TKA T146	C013	403 053 3606	ELECT 2200U M 35V
Q803	405 149 1701	TR DTC143TKA T146	C014	403 049 9803	ELECT 2.2U M 50V
Q804	405 149 1701	TR DTC143TKA T146	C017	403 200 0700	MT-POLYEST 0.1U J 50V
Q808	405 014 4509	TR 2SC2412K T146 R		403 237 8007	MT-COMPO 0.1U J 50V
	405 014 4608	TR 2SC2412K T146 S	C018	403 200 0700	MT-POLYEST 0.1U J 50V
	405 015 8704	TR 2SC2812-L6-TB		403 237 8007	MT-COMPO 0.1U J 50V
	405 015 8902	TR 2SC2812-L7-TB	C019	403 053 3606	ELECT 2200U M 35V
Q814	405 014 4509	TR 2SC2412K T146 R	C021	403 053 3606	ELECT 2200U M 35V
	405 014 4608	TR 2SC2412K T146 S	C022	403 200 0700	MT-POLYEST 0.1U J 50V
	405 015 8704	TR 2SC2812-L6-TB		403 237 8007	MT-COMPO 0.1U J 50V
	405 015 8902	TR 2SC2812-L7-TB	C023	403 200 0700	MT-POLYEST 0.1U J 50V
				403 237 8007	MT-COMPO 0.1U J 50V
INTEGRATED CIRCUIT			C101	403 248 1618	ELECT 47U M 16V
IC001	409 379 2903	IC TA8200AH	C102	403 039 3507	ELECT 470U M 6.3V
IC101	410 352 5101	IC TDA9321H/N2C	C103	403 039 3507	ELECT 470U M 6.3V
IC1201	409 419 5406	IC MM1313BD	C104	403 049 4204	ELECT 10U M 50V
IC1202	409 252 3102	IC NJM2284M-TE2	C106	403 039 3507	ELECT 470U M 6.3V
IC1301	409 018 4008	IC LA6393M-TP-T1	C109	403 149 9208	CERAMI C 0.01U Z 50V
IC1302	409 301 2803	IC MN1381-Q	C110	403 149 9208	CERAMI C 0.01U Z 50V
IC1303	410 260 8300	IC M34225M1-548SP	C1201	403 153 9300	CERAMI C 82P J 50V
IC201	409 436 3706	IC TDA9178T/N1	C1202	403 200 0700	MT-POLYEST 0.1U J 50V
IC202	410 395 3201	IC TDA9330H/N2C		403 237 8007	MT-COMPO 0.1U J 50V
IC301	409 400 7105	IC TC7W53FU-(TE12L)	C1203	403 154 2102	NP-ELECT 1U M 50V
IC302	409 459 2106	IC TC7SET32F	C1204	403 154 2102	NP-ELECT 1U M 50V
IC3101	409 487 7807	IC AK7706VT	C1205	403 154 2102	NP-ELECT 1U M 50V
IC3451	409 476 5401	IC TDA9875AH/V2	C1206	403 154 2102	NP-ELECT 1U M 50V
IC671	409 429 1306	IC BA12T	C1207	403 149 9208	CERAMI C 0.01U Z 50V
IC672	409 440 3303	IC BA09T	C1210	403 157 3601	CERAMI C 100P J 50V
IC673	409 438 9300	IC BA08T(TO220FP)	C1213	403 153 9300	CERAMI C 82P J 50V
IC674	409 416 7908	IC BA05T	C1214	403 200 0700	MT-POLYEST 0.1U J 50V
IC676	409 429 1306	IC BA12T		403 237 8007	MT-COMPO 0.1U J 50V
IC7101	409 442 1307	IC CXD2064Q	C1215	403 153 9300	CERAMI C 82P J 50V
IC7201	409 477 4918	IC TC90A36F	C1216	403 200 0700	MT-POLYEST 0.1U J 50V
IC7201A	610 285 4305	SHIELD CASE NI CAM-C2LA-A		403 237 8007	MT-COMPO 0.1U J 50V
IC7202	410 365 2005	IC MSM518221A-25GS-K	C1217	403 153 9300	CERAMI C 82P J 50V
IC7202B	610 285 4312	SHIELD CASE SCAN-C2ML-B	C1218	403 149 9208	CERAMI C 0.01U Z 50V
IC7203	410 365 2005	IC MSM518221A-25GS-K	C1219	403 154 2102	NP-ELECT 1U M 50V
IC7204	409 364 8220	IC TLC2932IPW-E	C1220	403 200 0700	MT-POLYEST 0.1U J 50V
IC7205	409 364 8220	IC TLC2932IPW-E		403 067 5603	MT-COMPO 0.1U J 50V
IC7211	409 309 0227	IC TC7S66F-TE85L	C1221	403 154 2102	NP-ELECT 1U M 50V
IC7221	409 309 0227	IC TC7S66F-TE85L	C1222	403 153 9300	CERAMI C 82P J 50V
IC7341	409 223 1819	IC MC74HC04AF-R1	C1224	403 154 2102	NP-ELECT 1U M 50V
IC801	410 371 0309	IC ST92R195B9/JBC	C1225	403 154 2102	NP-ELECT 1U M 50V
IC802	410 370 7309	IC PROM 2MB C2ML	C1226	403 154 2102	NP-ELECT 1U M 50V
IC803	409 383 6805	IC 24LC08B/P	C1227	403 154 2102	NP-ELECT 1U M 50V
IC804	409 400 5903	IC MC14066BDR2	C1229	403 154 2102	NP-ELECT 1U M 50V
IC806	409 400 5903	IC MC14066BDR2	C1230	403 157 3601	CERAMI C 100P J 50V
IC807	409 460 0306	IC PCF8574AT	C1231	403 154 2102	NP-ELECT 1U M 50V
IC808	409 460 0306	IC PCF8574AT	C1232	403 164 0204	CERAMI C 0.1U Z 25V
IC809	409 387 4104	IC CXA1315M-T4	C1233	403 041 8804	ELECT 10U M 16V
IC811	409 301 2803	IC MN1381-Q	C1234	403 041 8804	ELECT 10U M 16V
IC813	409 251 0300	IC TC7W04F-(TE12L)	C1235	403 157 3601	CERAMI C 100P J 50V
			C1236	403 041 8804	ELECT 10U M 16V

Ref. No.	Part No.	Description	Ref. No.	Part No.	Description
C1237	403 041 8804	ELECT 10U M 16V	C146	403 149 9208	CERAMI C 0.01U Z 50V
C1238	403 042 2405	ELECT 100U M 16V	C147	403 149 9208	CERAMI C 0.01U Z 50V
C1239	403 149 9208	CERAMI C 0.01U Z 50V	C148	403 145 9905	CERAMI C 22P J 50V
C1240	403 157 3601	CERAMI C 100P J 50V	C149	403 155 4214	CERAMI C 15P J 50V
C1241	403 041 8804	ELECT 10U M 16V	C151	403 179 4501	NP- ELECT 0.47U M 50V
C1242	403 041 8804	ELECT 10U M 16V	C152	403 169 2807	CERAMI C 330P J 50V
C1244	403 140 9207	NP- ELECT 10U M 16V	C153	403 155 2200	CERAMI C 3300P K 50V
C1245	403 140 9207	NP- ELECT 10U M 16V	C154	403 168 6509	MT- POLYEST 0.47U J 50V
C1246	403 140 9207	NP- ELECT 10U M 16V		403 256 0808	MT- COMPO 0.47U J 50V
C1248	403 140 9207	NP- ELECT 10U M 16V	C155	403 179 4501	NP- ELECT 0.47U M 50V
C1249	403 149 9208	CERAMI C 0.01U Z 50V	C156	403 164 0204	CERAMI C 0.1U Z 25V
C1251	403 042 7707	ELECT 22U M 16V	C157	403 298 9609	CERAMI C 0.1U K 16V
C1252	403 164 0204	CERAMI C 0.1U Z 25V	C158	403 040 7501	ELECT 33U M 10V
C1253	403 042 2405	ELECT 100U M 16V	C159	403 298 9609	CERAMI C 0.1U K 16V
C1254	403 154 2102	NP- ELECT 1U M 50V	C160	403 069 8305	CERAMI C 0.01U Z 50V
C1255	403 157 3601	CERAMI C 100P J 50V	C161	403 298 9609	CERAMI C 0.1U K 16V
C1256	403 154 2102	NP- ELECT 1U M 50V	C163	403 042 7707	ELECT 22U M 16V
C1257	403 157 3601	CERAMI C 100P J 50V	C167	403 149 9208	CERAMI C 0.01U Z 50V
C1258	403 153 9300	CERAMI C 82P J 50V	C1802	403 149 9208	CERAMI C 0.01U Z 50V
C1259	403 157 3601	CERAMI C 100P J 50V	C1803	403 113 3805	CERAMI C 1000P K 50V
C1260	403 140 9207	NP- ELECT 10U M 16V	C1804	403 113 3805	CERAMI C 1000P K 50V
C1261	403 164 0204	CERAMI C 0.1U Z 25V	C181	403 200 0700	MT- POLYEST 0.1U J 50V
C1262	403 154 2102	NP- ELECT 1U M 50V		403 237 8007	MT- COMPO 0.1U J 50V
C1263	403 154 2102	NP- ELECT 1U M 50V	C182	403 298 9609	CERAMI C 0.1U K 16V
C1264	403 157 3601	CERAMI C 100P J 50V	C183	403 298 9609	CERAMI C 0.1U K 16V
C1265	403 153 9300	CERAMI C 82P J 50V	C1836	403 298 9609	CERAMI C 0.1U K 16V
C1267	403 157 3601	CERAMI C 100P J 50V	C185	403 149 9208	CERAMI C 0.01U Z 50V
C1268	403 042 2405	ELECT 100U M 16V	C186	403 298 9609	CERAMI C 0.1U K 16V
C1269	403 153 9300	CERAMI C 82P J 50V	C187	403 298 9609	CERAMI C 0.1U K 16V
C1270	403 140 9207	NP- ELECT 10U M 16V	C188	403 041 2109	ELECT 47U M 10V
C1271	403 157 3601	CERAMI C 100P J 50V	C189	403 113 3805	CERAMI C 1000P K 50V
C1272	403 157 3601	CERAMI C 100P J 50V	C190	403 041 2109	ELECT 47U M 10V
C1273	403 157 3601	CERAMI C 100P J 50V	C191	403 298 9609	CERAMI C 0.1U K 16V
C1275	403 164 0204	CERAMI C 0.1U Z 25V	C192	403 149 9208	CERAMI C 0.01U Z 50V
C1276	403 164 0204	CERAMI C 0.1U Z 25V	C193	403 149 9208	CERAMI C 0.01U Z 50V
C1301	403 258 9106	NP- ELECT 47U M 16V	C195	403 049 9803	ELECT 2.2U M 50V
C1302	403 113 3805	CERAMI C 1000P K 50V	C201	403 060 5402	POLYESTER 3300P J 50V
C1303	403 169 2807	CERAMI C 330P J 50V		403 179 1906	POLYESTER 3300P J 50V
C1305	403 157 3106	CERAMI C 56P J 50V	C202	403 200 0700	MT- POLYEST 0.1U J 50V
C1306	403 200 0700	MT- POLYEST 0.1U J 50V		403 237 8007	MT- COMPO 0.1U J 50V
	403 237 8007	MT- COMPO 0.1U J 50V	C203	403 168 8800	MT- POLYEST 0.22U J 50V
C1308	403 157 3601	CERAMI C 100P J 50V		403 237 7901	MT- COMPO 0.22U J 50V
C1309	403 049 0008	ELECT 1U M 50V	C204	403 139 7306	CERAMI C 18P J 50V
C131	403 149 9208	CERAMI C 0.01U Z 50V	C208	403 139 7306	CERAMI C 18P J 50V
C1310	403 149 9208	CERAMI C 0.01U Z 50V	C209	403 260 2003	MT- COMPO 1U J 50V
C1311	403 039 6508	ELECT 100U M 10V	C211	403 061 8303	POLYESTER 4700P K 50V
C1316	403 149 9208	CERAMI C 0.01U Z 50V		403 179 1104	POLYESTER 4700P K 50V
C1317	403 149 9208	CERAMI C 0.01U Z 50V	C213	403 157 4212	CERAMI C 220P J 50V
C1318	403 039 6508	ELECT 100U M 10V	C214	403 149 9208	CERAMI C 0.01U Z 50V
C1319	403 149 9208	CERAMI C 0.01U Z 50V	C216	403 041 2109	ELECT 47U M 10V
C132	403 153 9102	CERAMI C 5P C 50V	C221	403 298 9609	CERAMI C 0.1U K 16V
C1321	403 155 1302	CERAMI C 150P J 50V	C222	403 040 3701	ELECT 220U M 10V
C133	403 153 9102	CERAMI C 5P C 50V	C231	403 200 0700	MT- POLYEST 0.1U J 50V
C1332	403 149 9208	CERAMI C 0.01U Z 50V		403 237 8007	MT- COMPO 0.1U J 50V
C1333	403 060 8403	POLYESTER 0.033U K 50V	C232	403 248 1618	ELECT 47U M 16V
	403 179 1609	POLYESTER 0.033U K 50V	C233	403 149 9208	CERAMI C 0.01U Z 50V
C1334	403 149 9208	CERAMI C 0.01U Z 50V	C234	403 200 0700	MT- POLYEST 0.1U J 50V
C1335	403 051 0607	ELECT 4.7U M 50V		403 237 8007	MT- COMPO 0.1U J 50V
C134	403 157 3106	CERAMI C 56P J 50V	C236	403 200 0700	MT- POLYEST 0.1U J 50V
C1341	403 200 0700	MT- POLYEST 0.1U J 50V		403 237 8007	MT- COMPO 0.1U J 50V
	403 237 8007	MT- COMPO 0.1U J 50V	C241	403 179 4501	NP- ELECT 0.47U M 50V
C136	403 149 9208	CERAMI C 0.01U Z 50V	C242	403 179 4501	NP- ELECT 0.47U M 50V
C137	403 149 9208	CERAMI C 0.01U Z 50V	C243	403 179 4501	NP- ELECT 0.47U M 50V
C138	403 149 9208	CERAMI C 0.01U Z 50V	C247	403 298 9609	CERAMI C 0.1U K 16V
C139	403 049 9803	ELECT 2.2U M 50V	C248	403 298 9609	CERAMI C 0.1U K 16V
C141	403 049 9803	ELECT 2.2U M 50V	C249	403 298 9609	CERAMI C 0.1U K 16V
C142	403 200 0700	MT- POLYEST 0.1U J 50V	C250	403 113 4109	CERAMI C 2200P K 50V
	403 237 8007	MT- COMPO 0.1U J 50V	C251	403 233 3808	CERAMI C 10P C 50V
C144	403 041 2109	ELECT 47U M 10V	C256	403 149 9208	CERAMI C 0.01U Z 50V
C145	403 149 9208	CERAMI C 0.01U Z 50V	C257	403 248 1618	ELECT 47U M 16V

Ref. No.	Part No.	Description	Ref. No.	Part No.	Description
C258	403 113 3805	CERAMI C 1000P K 50V	C681	403 047 3100	ELECT 47U M 25V
C259	403 155 1500	CERAMI C 180P J 50V	C682	403 149 9208	CERAMI C 0.01U Z 50V
C261	403 157 2901	CERAMI C 47P J 50V	C683	403 043 0202	ELECT 220U M 16V
C262	403 050 6600	ELECT 3.3U M 50V	C684	403 041 2109	ELECT 47U M 10V
C263	403 157 6602	CERAMI C 470P K 50V	C686	403 149 9208	CERAMI C 0.01U Z 50V
C264	403 298 9609	CERAMI C 0.1U K 16V	C687	403 041 2109	ELECT 47U M 10V
C265	403 041 0709	ELECT 3300U M 10V	C688	403 044 9501	ELECT 100U M 25V
C266	403 041 0709	ELECT 3300U M 10V	C689	403 149 9208	CERAMI C 0.01U Z 50V
C267	403 149 9208	CERAMI C 0.01U Z 50V	C691	403 042 2405	ELECT 100U M 16V
C268	403 149 9208	CERAMI C 0.01U Z 50V	C692	403 149 9208	CERAMI C 0.01U Z 50V
C272	403 075 6906	CERAMI C 100P K 500V	C7001	403 258 7904	NP-ELECT 47U M 10V
C274	403 149 9208	CERAMI C 0.01U Z 50V	C7002	403 166 9205	CERAMI C 10P J 50V
C301	403 157 3809	CERAMI C 120P J 50V	C7003	403 166 9205	CERAMI C 10P J 50V
C302	403 039 6508	ELECT 100U M 10V	C7004	403 040 3701	ELECT 220U M 10V
C303	403 041 2109	ELECT 47U M 10V	C7005	403 164 0204	CERAMI C 0.1U Z 25V
C304	403 149 9208	CERAMI C 0.01U Z 50V	C7031	403 149 9208	CERAMI C 0.01U Z 50V
C305	403 155 1619	CERAMI C 33P J 50V	C7032	403 157 4202	CERAMI C 220P J 50V
C306	403 046 9905	ELECT 4.7U M 25V	C7034	403 041 2109	ELECT 47U M 10V
C307	403 200 0700	MF-POLYEST 0.1U J 50V	C7035	403 164 0204	CERAMI C 0.1U Z 25V
	403 237 8007	MF-COMPO 0.1U J 50V	C7052	403 186 5300	NP-ELECT 22U M 16V
C308	403 248 1618	ELECT 47U M 16V	C7056	403 149 9208	CERAMI C 0.01U Z 50V
C309	403 149 9208	CERAMI C 0.01U Z 50V	C7059	403 149 9208	CERAMI C 0.01U Z 50V
C310	403 149 9208	CERAMI C 0.01U Z 50V	C7060	403 040 3701	ELECT 220U M 10V
C3109	403 164 0204	CERAMI C 0.1U Z 25V	C7061	403 164 0204	CERAMI C 0.1U Z 25V
C311	403 154 2102	NP-ELECT 1U M 50V	C7062	403 040 3701	ELECT 220U M 10V
C3111	403 041 2109	ELECT 47U M 10V	C7063	403 164 0204	CERAMI C 0.1U Z 25V
C3115	403 164 0204	CERAMI C 0.1U Z 25V	C7064	403 154 2102	NP-ELECT 1U M 50V
C3451	403 157 2901	CERAMI C 47P J 50V	C7101	403 258 8208	NP-ELECT 10U M 16V
C3452	403 164 0204	CERAMI C 0.1U Z 25V	C7102	403 164 0204	CERAMI C 0.1U Z 25V
C3453	403 157 2901	CERAMI C 47P J 50V	C7103	403 164 0204	CERAMI C 0.1U Z 25V
C3454	403 113 3805	CERAMI C 1000P K 50V	C7104	403 041 2109	ELECT 47U M 10V
C3455	403 049 0008	ELECT 1U M 50V	C7106	403 164 0204	CERAMI C 0.1U Z 25V
C3456	403 154 2102	NP-ELECT 1U M 50V	C7107	403 041 2109	ELECT 47U M 10V
C3457	403 154 2102	NP-ELECT 1U M 50V	C7108	403 164 0204	CERAMI C 0.1U Z 25V
C3458	403 154 2102	NP-ELECT 1U M 50V	C7109	403 164 0204	CERAMI C 0.1U Z 25V
C3459	403 149 9208	CERAMI C 0.01U Z 50V	C7111	403 164 0204	CERAMI C 0.1U Z 25V
C3461	403 149 9208	CERAMI C 0.01U Z 50V	C7112	403 164 0204	CERAMI C 0.1U Z 25V
C3462	403 314 5905	CERAMI C 0.47U K 16V	C7113	403 164 0204	CERAMI C 0.1U Z 25V
C3463	403 041 2109	ELECT 47U M 10V	C7115	403 164 0204	CERAMI C 0.1U Z 25V
C3464	403 041 2109	ELECT 47U M 10V	C7116	403 164 0204	CERAMI C 0.1U Z 25V
C3465	403 041 2109	ELECT 47U M 10V	C7117	403 041 2109	ELECT 47U M 10V
C3467	403 149 9208	CERAMI C 0.01U Z 50V	C7118	403 164 0204	CERAMI C 0.1U Z 25V
C3468	403 041 2109	ELECT 47U M 10V	C7121	403 164 0204	CERAMI C 0.1U Z 25V
C3469	403 149 9208	CERAMI C 0.01U Z 50V	C7122	403 041 2109	ELECT 47U M 10V
C3473	403 154 2102	NP-ELECT 1U M 50V	C7123	403 166 9502	CERAMI C 0.022U K 16V
C3474	403 154 2102	NP-ELECT 1U M 50V	C7124	403 041 2109	ELECT 47U M 10V
C3475	403 041 2109	ELECT 47U M 10V	C7125	403 164 0204	CERAMI C 0.1U Z 25V
C3476	403 149 9208	CERAMI C 0.01U Z 50V	C7130	403 164 0204	CERAMI C 0.1U Z 25V
C3477	403 314 5905	CERAMI C 0.47U K 16V	C7131	403 149 9208	CERAMI C 0.01U Z 50V
C3478	403 041 2109	ELECT 47U M 10V	C7201	CU1A100MABALC	10SC10M+T 5X6.8 0
C3479	403 149 9208	CERAMI C 0.01U Z 50V	C7202	403 164 0214	CERAMI C 0.1U Z 25V
C3483	403 215 2201	CERAMI C 0.01U K 50V	C7203	403 038 1603	ELECT 100U M 6.3V
C3484	403 215 2201	CERAMI C 0.01U K 50V	C7204	403 164 0214	CERAMI C 0.1U Z 25V
C3485	403 041 2109	ELECT 47U M 10V	C7205	403 038 1603	ELECT 100U M 6.3V
C3486	403 149 9208	CERAMI C 0.01U Z 50V	C7206	403 164 0214	CERAMI C 0.1U Z 25V
C3487	403 149 9208	CERAMI C 0.01U Z 50V	C7207	403 164 0214	CERAMI C 0.1U Z 25V
C353	403 206 5303	MF-POLYEST 0.27U J 50V	C7208	403 248 1618	ELECT 47U M 16V
	403 219 4904	MF-COMPO 0.27U J 50V	C7209	403 164 0214	CERAMI C 0.1U Z 25V
C354	403 166 1605	NP-ELECT 4.7U M 25V	C7210	403 164 0214	CERAMI C 0.1U Z 25V
C366	403 149 9208	CERAMI C 0.01U Z 50V	C7212	CU1A100MABALC	10SC10M+T 5X6.8 0
C370	403 149 9208	CERAMI C 0.01U Z 50V	C7213	403 164 0214	CERAMI C 0.1U Z 25V
C671	403 149 9208	CERAMI C 0.01U Z 50V	C7214	CU1A100MABALC	10SC10M+T 5X6.8 0
C672	403 149 9208	CERAMI C 0.01U Z 50V	C7215	403 049 4204	ELECT 10U M 50V
C673	403 149 9208	CERAMI C 0.01U Z 50V	C7216	403 164 0214	CERAMI C 0.1U Z 25V
C674	403 047 5005	ELECT 470U M 25V	C7217	403 155 1619	CERAMI C 33P J 50V
C675	403 042 2405	ELECT 100U M 16V	C7218	403 155 1619	CERAMI C 33P J 50V
C676	403 043 6006	ELECT 330U M 16V	C7219	403 157 3314	CERAMI C 68P J 50V
C677	403 149 9208	CERAMI C 0.01U Z 50V	C7220	403 149 9218	CERAMI C 0.01U Z 50V
C678	403 041 2109	ELECT 47U M 10V	C7221	403 164 0214	CERAMI C 0.1U Z 25V
C679	403 149 9208	CERAMI C 0.01U Z 50V	C7222	CU1A100MABALC	10SC10M+T 5X6.8 0

Ref. No.	Part No.	Description	Ref. No.	Part No.	Description
C7223	403 164 0214	CERAMIC 0. 1U Z 25V	C816	403 061 8303	POLYESTER 4700P K 50V
C7224	CU1A100MABALC	10SC10M+T 5X6. 8 0	403 179 1104	POLYESTER 4700P K 50V	
C7225	403 217 1103	ELECT 22U M 50V	C817	403 145 9905	CERAMIC 22P J 50V
C7226	403 164 0214	CERAMIC 0. 1U Z 25V	C818	403 061 8303	POLYESTER 4700P K 50V
C7227	403 157 2911	CERAMIC 47P J 50V	403 179 1104	POLYESTER 4700P K 50V	
C7228	403 157 3611	CERAMIC 100P J 50V	C819	403 145 9905	CERAMIC 22P J 50V
C7229	403 172 6116	CC GRM39COG271J50PT	C820	403 149 9208	CERAMIC 0. 01U Z 50V
C7230	403 149 9218	CERAMIC 0. 01U Z 50V	C821	403 049 0008	ELECT 1U M 50V
C7231	403 164 0214	CERAMIC 0. 1U Z 25V	C822	403 059 3808	POLYESTER 2200P K 50V
C7232	403 038 1603	ELECT 100U M 6. 3V	403 179 2606	POLYESTER 2200P K 50V	
C7233	403 164 0214	CERAMIC 0. 1U Z 25V	C823	403 043 9106	ELECT 47U M 16V
C7234	403 157 2911	CERAMIC 47P J 50V	C824	403 153 9300	CERAMIC 82P J 50V
C7235	403 157 3611	CERAMIC 100P J 50V	C825	403 178 9210	POLYESTER 1000P J 50V
C7236	403 172 6116	CC GRM39COG271J50PT	C826	403 179 4501	NP- ELECT 0. 47U M 50V
C7241	403 164 0214	CERAMIC 0. 1U Z 25V	C827	403 075 9016	CERAMIC 150P K 500V
C7242	403 038 1603	ELECT 100U M 6. 3V	C828	403 298 9609	CERAMIC 0. 1U K 16V
C7243	403 164 0214	CERAMIC 0. 1U Z 25V	C829	403 041 2109	ELECT 47U M 10V
C7244	403 164 0214	CERAMIC 0. 1U Z 25V	C830	403 149 9208	CERAMIC 0. 01U Z 50V
C7301	403 248 1618	ELECT 47U M 16V	C831	403 149 9208	CERAMIC 0. 01U Z 50V
C7302	403 164 0214	CERAMIC 0. 1U Z 25V	C833	403 149 9208	CERAMIC 0. 01U Z 50V
C7303	CP1V220MEJALC	NP 35NA22NTA0511	C834	403 149 9208	CERAMIC 0. 01U Z 50V
C7305	403 051 0607	ELECT 4. 7U M 50V	C835	403 041 8804	ELECT 10U M 16V
C7307	CP1V220MEJALC	NP 35NA22NTA0511	C836	403 149 9208	CERAMIC 0. 01U Z 50V
C7309	403 051 0607	ELECT 4. 7U M 50V	C837	403 149 9208	CERAMIC 0. 01U Z 50V
C7311	CP1V220MEJALC	NP 35NA22NTA0511	C839	403 149 9208	CERAMIC 0. 01U Z 50V
C7313	403 051 0607	ELECT 4. 7U M 50V	C840	403 041 2109	ELECT 47U M 10V
C7321	403 248 1618	ELECT 47U M 16V	C841	403 041 2109	ELECT 47U M 10V
C7322	403 164 0214	CERAMIC 0. 1U Z 25V	C843	403 149 9208	CERAMIC 0. 01U Z 50V
C7323	403 164 0214	CERAMIC 0. 1U Z 25V	C844	403 041 2109	ELECT 47U M 10V
C7324	403 164 0214	CERAMIC 0. 1U Z 25V	C845	403 149 9208	CERAMIC 0. 01U Z 50V
C7325	403 164 0214	CERAMIC 0. 1U Z 25V	C846	403 041 2109	ELECT 47U M 10V
C7326	403 248 1618	ELECT 47U M 16V	C851	403 113 3805	CERAMIC 1000P K 50V
C7327	403 164 0214	CERAMIC 0. 1U Z 25V	C855	403 041 0709	ELECT 3300U M 10V
C7328	403 164 0214	CERAMIC 0. 1U Z 25V	C856	403 041 0709	ELECT 3300U M 10V
C7329	403 164 0214	CERAMIC 0. 1U Z 25V	C859	403 155 1609	CERAMIC 33P J 50V
C7330	403 164 0214	CERAMIC 0. 1U Z 25V	C860	403 041 2109	ELECT 47U M 10V
C7331	403 164 0214	CERAMIC 0. 1U Z 25V	C861	403 149 9208	CERAMIC 0. 01U Z 50V
C7332	403 164 0214	CERAMIC 0. 1U Z 25V			
C7333	403 164 0214	CERAMIC 0. 1U Z 25V	RESISTOR		
C7334	403 164 0214	CERAMIC 0. 1U Z 25V	RB3401	645 021 0372	R- NETWORK 220X4 0. 063W
C7335	403 164 0214	CERAMIC 0. 1U Z 25V	RB801	645 037 0670	R- NETWORK 47X4 0. 063W
C7336	403 164 0214	CERAMIC 0. 1U Z 25V	645 018 8930	R- NETWORK 47X4 1/16W	
C7341	403 164 0214	CERAMIC 0. 1U Z 25V	RB802	645 037 0670	R- NETWORK 47X4 0. 063W
C7354	403 157 1914	CERAMIC GRM39COG100D50P	645 018 8930	R- NETWORK 47X4 1/16W	
C7355	403 153 9310	CERAMIC 82P J 50V	RB803	645 037 0670	R- NETWORK 47X4 0. 063W
C7356	403 157 2911	CERAMIC 47P J 50V	645 018 8930	R- NETWORK 47X4 1/16W	
C7358	403 155 1510	CERAMIC 180P J 50V	RB804	645 037 0670	R- NETWORK 47X4 0. 063W
C7359	403 155 1510	CERAMIC 180P J 50V	645 018 8930	R- NETWORK 47X4 1/16W	
C7361	403 248 1618	ELECT 47U M 16V	RB805	645 037 0670	R- NETWORK 47X4 0. 063W
C7372	403 155 1510	CERAMIC 180P J 50V	645 018 8930	R- NETWORK 47X4 1/16W	
C7373	403 155 1510	CERAMIC 180P J 50V	RB806	645 037 0670	R- NETWORK 47X4 0. 063W
C7384	403 149 9218	CERAMIC 0. 01U Z 50V	645 018 8930	R- NETWORK 47X4 1/16W	
C7385	403 149 9218	CERAMIC 0. 01U Z 50V	RB807	645 037 0670	R- NETWORK 47X4 0. 063W
C7386	403 248 1618	ELECT 47U M 16V	645 018 8930	R- NETWORK 47X4 1/16W	
C7381	403 179 4501	NP- ELECT 0. 47U M 50V	R002	401 105 4106	MT- GLAZE 3. 3K JA 1/16W
C7382	403 179 4501	NP- ELECT 0. 47U M 50V	R003	401 105 4106	MT- GLAZE 3. 3K JA 1/16W
C7383	403 179 4501	NP- ELECT 0. 47U M 50V	R006	401 105 4106	MT- GLAZE 3. 3K JA 1/16W
C801	403 041 2109	ELECT 47U M 10V	R007	401 105 4106	MT- GLAZE 3. 3K JA 1/16W
C802	403 149 9208	CERAMIC 0. 01U Z 50V	R008	401 105 0603	MT- GLAZE 10K JA 1/16W
C803	403 145 9905	CERAMIC 22P J 50V	R009	401 105 4205	MT- GLAZE 33K JA 1/16W
C804	403 157 2505	CERAMIC 27P J 50V	R011	401 105 2805	MT- GLAZE 2. 2K JA 1/16W
C805	403 164 0204	CERAMIC 0. 1U Z 25V	R012	401 008 3701	CARBON 2. 2 JA 1/2W
C806	403 041 2109	ELECT 47U M 10V	R013	401 008 3701	CARBON 2. 2 JA 1/2W
C807	403 149 9208	CERAMIC 0. 01U Z 50V	R014	401 022 1905	CARBON 680 JA 1/4W
C809	403 041 2109	ELECT 47U M 10V	R016	401 022 1905	CARBON 680 JA 1/4W
C811	403 168 8800	MT- POLYEST 0. 22U J 50V	R101	401 105 1115	MT- GLAZE 12K JA 1/16W
403 237 7901	MT- COMPO 0. 22U J 50V		R102	401 105 2706	MT- GLAZE 220 JA 1/16W
C812	403 157 4202	CERAMIC 220P J 50V	R103	401 105 2706	MT- GLAZE 220 JA 1/16W
C813	403 149 9208	CERAMIC 0. 01U Z 50V	R104	401 105 0702	MT- GLAZE 100K JA 1/16W
C814	403 041 2109	ELECT 47U M 10V	R106	401 105 0702	MT- GLAZE 100K JA 1/16W

Ref. No.	Part No.	Description	Ref. No.	Part No.	Description
R108	401 105 8114	MT- GLAZE 56K JA 1/16W	R1272	401 105 0702	MT- GLAZE 100K JA 1/16W
R109	401 105 0603	MT- GLAZE 10K JA 1/16W	R1273	401 105 5301	MT- GLAZE 4. 7K JA 1/16W
R111	401 105 0603	MT- GLAZE 10K JA 1/16W	R1274	401 105 2805	MT- GLAZE 2. 2K JA 1/16W
R112	401 105 2815	MT- GLAZE 2. 2K JA 1/16W	R1275	401 105 0702	MT- GLAZE 100K JA 1/16W
R113	401 105 2805	MT- GLAZE 2. 2K JA 1/16W	R1276	401 105 1006	MT- GLAZE 1. 2K JA 1/16W
R116	401 105 0702	MT- GLAZE 100K JA 1/16W	R1277	401 105 1402	MT- GLAZE 150 JA 1/16W
R117	401 105 0405	MT- GLAZE 100 JA 1/16W	R1277A	401 105 1402	MT- GLAZE 150 JA 1/16W
R1200	401 105 0405	MT- GLAZE 100 JA 1/16W	R1278	401 105 5301	MT- GLAZE 4. 7K JA 1/16W
R1201	401 105 3208	MT- GLAZE 270 JA 1/16W	R1279	401 105 2805	MT- GLAZE 2. 2K JA 1/16W
R1202	401 105 6001	MT- GLAZE 5. 6K JA 1/16W	R1280	401 105 5905	MT- GLAZE 560 JA 1/16W
R1203	401 105 6001	MT- GLAZE 5. 6K JA 1/16W	R1281	401 105 0702	MT- GLAZE 100K JA 1/16W
R1204	401 105 0603	MT- GLAZE 10K JA 1/16W	R1282	401 105 1006	MT- GLAZE 1. 2K JA 1/16W
R1205	401 105 0504	MT- GLAZE 1K JA 1/16W	R1284	401 105 2706	MT- GLAZE 220 JA 1/16W
R1206	401 105 0702	MT- GLAZE 100K JA 1/16W	R1285	401 105 0504	MT- GLAZE 1K JA 1/16W
R1207	401 105 1709	MT- GLAZE 150K JA 1/16W	R1286	401 105 0504	MT- GLAZE 1K JA 1/16W
R1208	401 105 1006	MT- GLAZE 1. 2K JA 1/16W	R1287	401 105 0405	MT- GLAZE 100 JA 1/16W
R1209	401 105 0504	MT- GLAZE 1K JA 1/16W	R1288	401 105 1501	MT- GLAZE 1. 5K JA 1/16W
R1210	401 105 5905	MT- GLAZE 560 JA 1/16W	R1289	401 105 0504	MT- GLAZE 1K JA 1/16W
R1211	401 105 0702	MT- GLAZE 100K JA 1/16W	R1290	401 105 5905	MT- GLAZE 560 JA 1/16W
R1212	401 105 1709	MT- GLAZE 150K JA 1/16W	R1291	401 105 0405	MT- GLAZE 100 JA 1/16W
R1213	401 105 1006	MT- GLAZE 1. 2K JA 1/16W	R1292	401 105 1501	MT- GLAZE 1. 5K JA 1/16W
R1222	401 105 3208	MT- GLAZE 270 JA 1/16W	R1293	401 105 0504	MT- GLAZE 1K JA 1/16W
R1223	401 105 3208	MT- GLAZE 270 JA 1/16W	R1294	401 105 0405	MT- GLAZE 100 JA 1/16W
R1224	401 105 3208	MT- GLAZE 270 JA 1/16W	R1295	401 105 1501	MT- GLAZE 1. 5K JA 1/16W
R1225	401 105 0603	MT- GLAZE 10K JA 1/16W	R1296	401 105 2805	MT- GLAZE 2. 2K JA 1/16W
R1226	401 105 0504	MT- GLAZE 1K JA 1/16W	R1297	401 105 0405	MT- GLAZE 100 JA 1/16W
R1227	401 105 0702	MT- GLAZE 100K JA 1/16W	R1298	401 105 5905	MT- GLAZE 560 JA 1/16W
R1228	401 105 1709	MT- GLAZE 150K JA 1/16W	R1299	401 105 0405	MT- GLAZE 100 JA 1/16W
R1229	401 105 1006	MT- GLAZE 1. 2K JA 1/16W	R1301	401 105 0603	MT- GLAZE 10K JA 1/16W
R1230	401 105 6001	MT- GLAZE 5. 6K JA 1/16W	R1302	401 105 3406	MT- GLAZE 27K JA 1/16W
R1231	401 105 6001	MT- GLAZE 5. 6K JA 1/16W	R1303	401 105 0504	MT- GLAZE 1K JA 1/16W
R1232	401 105 0504	MT- GLAZE 1K JA 1/16W	R1304	401 105 0900	MT- GLAZE 120 JA 1/16W
R1233	401 105 0702	MT- GLAZE 100K JA 1/16W	R1305	401 105 4502	MT- GLAZE 390 JA 1/16W
R1234	401 105 1709	MT- GLAZE 150K JA 1/16W	R1306	401 105 3000	MT- GLAZE 220K JA 1/16W
R1235	401 105 1006	MT- GLAZE 1. 2K JA 1/16W	R1307	401 105 2904	MT- GLAZE 22K JA 1/16W
R1236	401 105 6001	MT- GLAZE 5. 6K JA 1/16W	R1309	401 105 0405	MT- GLAZE 100 JA 1/16W
R1237	401 105 0702	MT- GLAZE 100K JA 1/16W	R131	401 105 5103	MT- GLAZE 47 JA 1/16W
R1238	401 105 1709	MT- GLAZE 150K JA 1/16W	R1310	401 105 5806	MT- GLAZE 56 JA 1/16W
R1239	401 105 3208	MT- GLAZE 270 JA 1/16W	R1312	401 105 8005	MT- GLAZE 1M JA 1/16W
R1241	401 105 1006	MT- GLAZE 1. 2K JA 1/16W	R1313	401 105 0603	MT- GLAZE 10K JA 1/16W
R1242	401 105 0504	MT- GLAZE 1K JA 1/16W	R1314	401 105 0603	MT- GLAZE 10K JA 1/16W
R1243	401 105 0702	MT- GLAZE 100K JA 1/16W	R1315	401 105 1402	MT- GLAZE 150 JA 1/16W
R1244	401 105 1709	MT- GLAZE 150K JA 1/16W	R1316	401 105 1105	MT- GLAZE 12K JA 1/16W
R1245	401 105 1006	MT- GLAZE 1. 2K JA 1/16W	R1317	401 105 1501	MT- GLAZE 1. 5K JA 1/16W
R1246	401 105 0504	MT- GLAZE 1K JA 1/16W	R1318	401 105 5301	MT- GLAZE 4. 7K JA 1/16W
R1247	401 105 0405	MT- GLAZE 100 JA 1/16W	R1321	401 105 0504	MT- GLAZE 1K JA 1/16W
R1248	401 105 0405	MT- GLAZE 100 JA 1/16W	R1322	401 105 5905	MT- GLAZE 560 JA 1/16W
R1249	401 105 2805	MT- GLAZE 2. 2K JA 1/16W	R1323	401 105 0603	MT- GLAZE 10K JA 1/16W
R1250	401 105 6001	MT- GLAZE 5. 6K JA 1/16W	R1326	401 105 5301	MT- GLAZE 4. 7K JA 1/16W
R1251	401 105 0702	MT- GLAZE 100K JA 1/16W	R133	401 105 0504	MT- GLAZE 1K JA 1/16W
R1252	401 105 5905	MT- GLAZE 560 JA 1/16W	R1330	401 105 6506	MT- GLAZE 680 JA 1/16W
R1253	401 105 5202	MT- GLAZE 470 JA 1/16W	R1332	401 105 2904	MT- GLAZE 22K JA 1/16W
R1254	401 105 1501	MT- GLAZE 1. 5K JA 1/16W	R1333	401 105 0603	MT- GLAZE 10K JA 1/16W
R1255	401 105 5202	MT- GLAZE 470 JA 1/16W	R1336	401 105 0603	MT- GLAZE 10K JA 1/16W
R1256	401 105 1501	MT- GLAZE 1. 5K JA 1/16W	R1338	401 105 0603	MT- GLAZE 10K JA 1/16W
R1257	401 105 5905	MT- GLAZE 560 JA 1/16W	R1339	401 105 0603	MT- GLAZE 10K JA 1/16W
R1258	401 105 0405	MT- GLAZE 100 JA 1/16W	R134	401 105 6001	MT- GLAZE 5. 6K JA 1/16W
R1259	401 105 0702	MT- GLAZE 100K JA 1/16W	R1340	401 105 2904	MT- GLAZE 22K JA 1/16W
R1260	401 105 0504	MT- GLAZE 1K JA 1/16W	R1341	401 105 3307	MT- GLAZE 2. 7K JA 1/16W
R1261	401 105 5202	MT- GLAZE 470 JA 1/16W	R1342	401 105 3307	MT- GLAZE 2. 7K JA 1/16W
R1262	401 105 1501	MT- GLAZE 1. 5K JA 1/16W	R1343	401 105 3307	MT- GLAZE 2. 7K JA 1/16W
R1263	401 105 5905	MT- GLAZE 560 JA 1/16W	R1358	401 105 0504	MT- GLAZE 1K JA 1/16W
R1264	401 105 0405	MT- GLAZE 100 JA 1/16W	R1359	401 105 2003	MT- GLAZE 1. 8K JA 1/16W
R1265	401 105 1006	MT- GLAZE 1. 2K JA 1/16W	R136	401 105 0900	MT- GLAZE 120 JA 1/16W
R1266	401 105 0702	MT- GLAZE 100K JA 1/16W	R1360	401 105 0603	MT- GLAZE 10K JA 1/16W
R1267	401 105 5202	MT- GLAZE 470 JA 1/16W	R1361	401 105 4106	MT- GLAZE 3. 3K JA 1/16W
R1268	401 105 1501	MT- GLAZE 1. 5K JA 1/16W	R1362	401 105 1105	MT- GLAZE 12K JA 1/16W
R1269	401 105 5905	MT- GLAZE 560 JA 1/16W	R1363	401 105 4304	MT- GLAZE 330K JA 1/16W
R1270	401 105 5806	MT- GLAZE 56 JA 1/16W	R1364	401 105 0603	MT- GLAZE 10K JA 1/16W
R1271	401 105 1006	MT- GLAZE 1. 2K JA 1/16W	R137	401 105 3109	MT- GLAZE 27 JA 1/16W

Ref. No.	Part No.	Description	Ref. No.	Part No.	Description
R138	401 105 8213	MT- GLAZE 68K JA 1/16W	R197	401 105 0702	MT- GLAZE 100K JA 1/16W
R139	401 105 2914	MT- GLAZE 22K JA 1/16W	R201	401 105 0702	MT- GLAZE 100K JA 1/16W
R140	401 105 0405	MT- GLAZE 100 JA 1/16W	R202	401 105 1600	MT- GLAZE 15K JA 1/16W
R141	401 105 3416	MT- GLAZE 27K JA 1/16W	R203	401 105 0405	MT- GLAZE 100 JA 1/16W
R142	401 105 0613	MT- GLAZE 10K JA 1/16W	R204	401 105 1006	MT- GLAZE 1. 2K JA 1/16W
R143	401 105 0613	MT- GLAZE 10K JA 1/16W	R206	401 105 5806	MT- GLAZE 56 JA 1/16W
R144	401 105 5806	MT- GLAZE 56 JA 1/16W	R207	401 105 0405	MT- GLAZE 100 JA 1/16W
R145	401 105 1016	MT- GLAZE 1. 2K JA 1/16W	R208	401 105 1006	MT- GLAZE 1. 2K JA 1/16W
R146	401 105 0613	MT- GLAZE 10K JA 1/16W	R209	401 105 5806	MT- GLAZE 56 JA 1/16W
R147	401 105 5905	MT- GLAZE 560 JA 1/16W	R210	401 105 0405	MT- GLAZE 100 JA 1/16W
R148	401 105 0910	MT- GLAZE 120 JA 1/16W	R211	401 105 0405	MT- GLAZE 100 JA 1/16W
R149	401 105 0504	MT- GLAZE 1K JA 1/16W	R212	401 105 1006	MT- GLAZE 1. 2K JA 1/16W
R151	401 105 2716	MT- GLAZE 220 JA 1/16W	R213	401 105 5806	MT- GLAZE 56 JA 1/16W
R152	401 105 0504	MT- GLAZE 1K JA 1/16W	R214	401 105 0504	MT- GLAZE 1K JA 1/16W
R153	401 105 0504	MT- GLAZE 1K JA 1/16W	R215	401 105 0405	MT- GLAZE 100 JA 1/16W
R154	401 105 0504	MT- GLAZE 1K JA 1/16W	R217	401 105 0702	MT- GLAZE 100K JA 1/16W
R156	401 105 0504	MT- GLAZE 1K JA 1/16W	R218	401 105 2706	MT- GLAZE 220 JA 1/16W
R157	401 105 5202	MT- GLAZE 470 JA 1/16W	R219	401 105 2706	MT- GLAZE 220 JA 1/16W
R158	401 105 7404	MT- GLAZE 8. 2K JA 1/16W	R220	401 105 2904	MT- GLAZE 22K JA 1/16W
R159	401 105 0504	MT- GLAZE 1K JA 1/16W	R221	401 105 3901	MT- GLAZE 33 JA 1/16W
R160	401 105 5301	MT- GLAZE 4. 7K JA 1/16W	R222	401 105 3901	MT- GLAZE 33 JA 1/16W
R161	401 105 4502	MT- GLAZE 390 JA 1/16W	R223	401 105 3901	MT- GLAZE 33 JA 1/16W
R162	401 105 0504	MT- GLAZE 1K JA 1/16W	R231	401 105 0405	MT- GLAZE 100 JA 1/16W
R163	401 105 0504	MT- GLAZE 1K JA 1/16W	R232	401 105 0405	MT- GLAZE 100 JA 1/16W
R164	401 105 7909	MT- GLAZE 0. 000 ZA 1/16W	R234	401 105 0405	MT- GLAZE 100 JA 1/16W
R172	401 105 5202	MT- GLAZE 470 JA 1/16W	R235	401 105 4205	MT- GLAZE 33K JA 1/16W
R173	401 105 5202	MT- GLAZE 470 JA 1/16W	R236	401 105 2706	MT- GLAZE 220 JA 1/16W
R174	401 105 3317	MT- GLAZE 2. 7K JA 1/16W	R237	401 105 2706	MT- GLAZE 220 JA 1/16W
R175	401 113 5102	MT- GLAZE 300 JA 1/16W	R238	401 105 4700	MT- GLAZE 39K JA 1/16W
R176	401 105 3208	MT- GLAZE 270 JA 1/16W	R239	401 105 0405	MT- GLAZE 100 JA 1/16W
R177	401 105 5806	MT- GLAZE 56 JA 1/16W	R241	401 105 0405	MT- GLAZE 100 JA 1/16W
R178	401 105 0603	MT- GLAZE 10K JA 1/16W	R243	401 105 0405	MT- GLAZE 100 JA 1/16W
R1807	401 105 4700	MT- GLAZE 39K JA 1/16W	R244	401 105 0405	MT- GLAZE 100 JA 1/16W
R1808	401 105 4700	MT- GLAZE 39K JA 1/16W	R245	401 105 0405	MT- GLAZE 100 JA 1/16W
R1809	401 105 5400	MT- GLAZE 47K JA 1/16W	R246	401 105 0405	MT- GLAZE 100 JA 1/16W
R181	401 105 0405	MT- GLAZE 100 JA 1/16W	R247	401 105 0405	MT- GLAZE 100 JA 1/16W
R1812	401 105 2904	MT- GLAZE 22K JA 1/16W	R248	401 105 0405	MT- GLAZE 100 JA 1/16W
R1813	401 024 7400	CARBON 10K JA 1/6W	R249	401 105 6516	MT- GLAZE 680 JA 1/16W
R1814	401 105 0405	MT- GLAZE 100 JA 1/16W	R250	401 105 0603	MT- GLAZE 10K JA 1/16W
R1816	401 105 0603	MT- GLAZE 10K JA 1/16W	R251	401 105 2013	MT- GLAZE 1. 8K JA 1/16W
R182	401 105 5905	MT- GLAZE 560 JA 1/16W	R252	401 105 2013	MT- GLAZE 1. 8K JA 1/16W
R1823	401 105 4205	MT- GLAZE 33K JA 1/16W	R253	401 105 2013	MT- GLAZE 1. 8K JA 1/16W
R1824	401 105 0504	MT- GLAZE 1K JA 1/16W	R255	401 105 2706	MT- GLAZE 220 JA 1/16W
R1826	401 105 4205	MT- GLAZE 33K JA 1/16W	R259	401 105 4502	MT- GLAZE 390 JA 1/16W
R1827	401 105 0603	MT- GLAZE 10K JA 1/16W	R261	401 105 0504	MT- GLAZE 1K JA 1/16W
R1836	401 105 2904	MT- GLAZE 22K JA 1/16W	R262	401 105 0603	MT- GLAZE 10K JA 1/16W
R1838	401 105 0603	MT- GLAZE 10K JA 1/16W	R263	401 105 2706	MT- GLAZE 220 JA 1/16W
R184	401 105 5806	MT- GLAZE 56 JA 1/16W	R264	401 105 5806	MT- GLAZE 56 JA 1/16W
R1841	401 105 0405	MT- GLAZE 100 JA 1/16W	R265	401 105 0603	MT- GLAZE 10K JA 1/16W
R1842	401 105 5905	MT- GLAZE 560 JA 1/16W	R266	401 105 5806	MT- GLAZE 56 JA 1/16W
R1843	401 105 0405	MT- GLAZE 100 JA 1/16W	R267	401 105 0504	MT- GLAZE 1K JA 1/16W
R1844	401 105 5905	MT- GLAZE 560 JA 1/16W	R268	401 105 5806	MT- GLAZE 56 JA 1/16W
R1845	401 105 0405	MT- GLAZE 100 JA 1/16W	R269	401 105 5202	MT- GLAZE 470 JA 1/16W
R1846	401 105 5905	MT- GLAZE 560 JA 1/16W	R270	401 105 5202	MT- GLAZE 470 JA 1/16W
R1847	401 105 6516	MT- GLAZE 680 JA 1/16W	R271	401 105 5202	MT- GLAZE 470 JA 1/16W
R1848	401 105 7919	MT- GLAZE 0. 000 ZA 1/16W	R272	401 105 0603	MT- GLAZE 10K JA 1/16W
R186	401 105 3208	MT- GLAZE 270 JA 1/16W	R273	401 105 2013	MT- GLAZE 1. 8K JA 1/16W
R1861	401 105 2805	MT- GLAZE 2. 2K JA 1/16W	R274	401 105 7909	MT- GLAZE 0. 000 ZA 1/16W
R1862	401 113 6703	MT- GLAZE 9. 1K JA 1/16W	R275	401 105 4205	MT- GLAZE 33K JA 1/16W
R1863	401 105 2805	MT- GLAZE 2. 2K JA 1/16W	R278	401 105 6605	MT- GLAZE 6. 8K JA 1/16W
R1864	401 113 6703	MT- GLAZE 9. 1K JA 1/16W	R280	401 105 0702	MT- GLAZE 100K JA 1/16W
R1866	401 105 2805	MT- GLAZE 2. 2K JA 1/16W	R283	401 105 2805	MT- GLAZE 2. 2K JA 1/16W
R1867	401 113 6703	MT- GLAZE 9. 1K JA 1/16W	R285	401 105 4205	MT- GLAZE 33K JA 1/16W
R187	401 105 0405	MT- GLAZE 100 JA 1/16W	R286	401 105 4205	MT- GLAZE 33K JA 1/16W
R188	401 105 5301	MT- GLAZE 4. 7K JA 1/16W	R293	401 026 7309	CARBON 39K GA 1/6W
R189	401 105 0603	MT- GLAZE 10K JA 1/16W	R301	401 105 5806	MT- GLAZE 56 JA 1/16W
R191	401 105 2706	MT- GLAZE 220 JA 1/16W	R302	401 105 0504	MT- GLAZE 1K JA 1/16W
R192	401 105 2706	MT- GLAZE 220 JA 1/16W	R303	401 105 1907	MT- GLAZE 180 JA 1/16W
R193	401 105 5301	MT- GLAZE 4. 7K JA 1/16W	R304	401 105 0504	MT- GLAZE 1K JA 1/16W
R196	401 105 7909	MT- GLAZE 0. 000 ZA 1/16W	R305	401 105 7206	MT- GLAZE 82 JA 1/16W

Ref. No.	Part No.	Description	Ref. No.	Part No.	Description
R306	401 105 2805	MT- GLAZE 2. 2K JA 1/16W	R7014	401 105 5806	MT- GLAZE 56 JA 1/16W
R307	401 105 6506	MT- GLAZE 680 JA 1/16W	R7015	401 105 0504	MT- GLAZE 1K JA 1/16W
R308	401 105 5202	MT- GLAZE 470 JA 1/16W	R7016	401 105 7305	MT- GLAZE 820 JA 1/16W
R309	401 105 5400	MT- GLAZE 47K JA 1/16W	R7017	401 105 1501	MT- GLAZE 1. 5K JA 1/16W
R310	401 105 6506	MT- GLAZE 680 JA 1/16W	R7018	401 105 5905	MT- GLAZE 560 JA 1/16W
R311	401 105 1600	MT- GLAZE 15K JA 1/16W	R7019	401 105 5905	MT- GLAZE 560 JA 1/16W
R3113	401 105 5806	MT- GLAZE 56 JA 1/16W	R7031	401 105 2805	MT- GLAZE 2. 2K JA 1/16W
R312	401 105 6506	MT- GLAZE 680 JA 1/16W	R7032	401 105 7305	MT- GLAZE 820 JA 1/16W
R313	401 105 0504	MT- GLAZE 1K JA 1/16W	R7033	401 105 0504	MT- GLAZE 1K JA 1/16W
R314	401 105 0504	MT- GLAZE 1K JA 1/16W	R7034	401 105 1105	MT- GLAZE 12K JA 1/16W
R315	401 105 5806	MT- GLAZE 56 JA 1/16W	R7036	401 105 2904	MT- GLAZE 22K JA 1/16W
R316	401 105 0504	MT- GLAZE 1K JA 1/16W	R7037	401 105 4106	MT- GLAZE 3. 3K JA 1/16W
R317	401 105 2706	MT- GLAZE 220 JA 1/16W	R7041	401 105 0603	MT- GLAZE 10K JA 1/16W
R318	401 105 6506	MT- GLAZE 680 JA 1/16W	R7042	401 105 0603	MT- GLAZE 10K JA 1/16W
R319	401 105 5806	MT- GLAZE 56 JA 1/16W	R7043	401 105 6001	MT- GLAZE 5. 6K JA 1/16W
R320	401 105 3416	MT- GLAZE 27K JA 1/16W	R7046	401 105 6001	MT- GLAZE 5. 6K JA 1/16W
R321	401 105 2914	MT- GLAZE 22K JA 1/16W	R7051	401 105 5806	MT- GLAZE 56 JA 1/16W
R322	401 105 5806	MT- GLAZE 56 JA 1/16W	R7052	401 105 4700	MT- GLAZE 39K JA 1/16W
R323	401 105 6506	MT- GLAZE 680 JA 1/16W	R7053	401 105 1600	MT- GLAZE 15K JA 1/16W
R324	401 105 6506	MT- GLAZE 680 JA 1/16W	R7054	401 105 0504	MT- GLAZE 1K JA 1/16W
R325	401 105 4700	MT- GLAZE 39K JA 1/16W	R7055	401 105 5905	MT- GLAZE 560 JA 1/16W
R326	401 105 5806	MT- GLAZE 56 JA 1/16W	R7056	401 105 6001	MT- GLAZE 5. 6K JA 1/16W
R327	401 105 4700	MT- GLAZE 39K JA 1/16W	R7057	401 105 0504	MT- GLAZE 1K JA 1/16W
R328	401 105 3307	MT- GLAZE 2. 7K JA 1/16W	R7059	401 105 5202	MT- GLAZE 470 JA 1/16W
R330	401 105 1709	MT- GLAZE 150K JA 1/16W	R7060	401 105 5103	MT- GLAZE 47 JA 1/16W
R334	401 105 2805	MT- GLAZE 2. 2K JA 1/16W	R7061	401 105 0504	MT- GLAZE 1K JA 1/16W
R335	401 105 7919	MT- GLAZE 0. 000 ZA 1/16W	R7062	401 105 3208	MT- GLAZE 270 JA 1/16W
R343	401 105 6605	MT- GLAZE 6. 8K JA 1/16W	R7064	401 105 5806	MT- GLAZE 56 JA 1/16W
R345	401 105 6605	MT- GLAZE 6. 8K JA 1/16W	R7065	401 105 5806	MT- GLAZE 56 JA 1/16W
R3451	401 105 0603	MT- GLAZE 10K JA 1/16W	R7066	401 105 4205	MT- GLAZE 33K JA 1/16W
R3452	401 105 0603	MT- GLAZE 10K JA 1/16W	R7067	401 105 0603	MT- GLAZE 10K JA 1/16W
R3453	401 105 2706	MT- GLAZE 220 JA 1/16W	R7068	401 105 0504	MT- GLAZE 1K JA 1/16W
R3461	401 105 3208	MT- GLAZE 270 JA 1/16W	R7069	401 105 5905	MT- GLAZE 560 JA 1/16W
R3462	401 105 7909	MT- GLAZE 0. 000 ZA 1/16W	R7071	401 105 6001	MT- GLAZE 5. 6K JA 1/16W
R3463	401 105 7909	MT- GLAZE 0. 000 ZA 1/16W	R7072	401 105 0504	MT- GLAZE 1K JA 1/16W
R3464	401 105 7909	MT- GLAZE 0. 000 ZA 1/16W	R7074	401 105 5202	MT- GLAZE 470 JA 1/16W
R3465	401 105 7909	MT- GLAZE 0. 000 ZA 1/16W	R7075	401 105 5103	MT- GLAZE 47 JA 1/16W
R3466	401 105 2706	MT- GLAZE 220 JA 1/16W	R7076	401 105 0504	MT- GLAZE 1K JA 1/16W
R3467	401 105 2706	MT- GLAZE 220 JA 1/16W	R7077	401 105 7305	MT- GLAZE 820 JA 1/16W
R3468	401 105 0603	MT- GLAZE 10K JA 1/16W	R7079	401 105 5806	MT- GLAZE 56 JA 1/16W
R351	401 105 0603	MT- GLAZE 10K JA 1/16W	R7102	401 105 2706	MT- GLAZE 220 JA 1/16W
R352	401 105 0603	MT- GLAZE 10K JA 1/16W	R7103	401 105 2706	MT- GLAZE 220 JA 1/16W
R353	401 105 0603	MT- GLAZE 10K JA 1/16W	R7104	401 105 6506	MT- GLAZE 680 JA 1/16W
R354	401 105 0603	MT- GLAZE 10K JA 1/16W	R7106	401 105 4106	MT- GLAZE 3. 3K JA 1/16W
R355	401 105 0603	MT- GLAZE 10K JA 1/16W	R7107	401 105 4106	MT- GLAZE 3. 3K JA 1/16W
R356	401 105 0603	MT- GLAZE 10K JA 1/16W	R7110	401 105 0504	MT- GLAZE 1K JA 1/16W
R357	401 105 0504	MT- GLAZE 1K JA 1/16W	R7113	401 105 5301	MT- GLAZE 4. 7K JA 1/16W
R358	401 105 3406	MT- GLAZE 27K JA 1/16W	R7211	401 105 5212	MT- GLAZE 470 JA 1/16W
R359	401 105 0504	MT- GLAZE 1K JA 1/16W	R7212	401 105 4017	MT- GLAZE 330 JA 1/16W
R361	401 105 2102	MT- GLAZE 18K JA 1/16W	R7213	401 105 2617	MT- GLAZE ERJ- 3GEYJ220V
R362	401 105 1105	MT- GLAZE 12K JA 1/16W	R7214	401 105 0613	MT- GLAZE 10K JA 1/16W
R364	401 105 0504	MT- GLAZE 1K JA 1/16W	R7215	401 105 0415	MT- GLAZE 100 JA 1/16W
R365	401 105 8005	MT- GLAZE 1M JA 1/16W	R7216	401 105 0415	MT- GLAZE 100 JA 1/16W
R371	401 105 1709	MT- GLAZE 150K JA 1/16W	R7221	401 105 5212	MT- GLAZE 470 JA 1/16W
R372	401 105 3010	MT- GLAZE 220K JA 1/16W	R7222	401 105 4017	MT- GLAZE 330 JA 1/16W
R374	401 105 0603	MT- GLAZE 10K JA 1/16W	R7223	401 105 2617	MT- GLAZE ERJ- 3GEYJ220V
R384	401 105 1600	MT- GLAZE 15K JA 1/16W	R7224	401 105 0613	MT- GLAZE 10K JA 1/16W
R391	401 105 6001	MT- GLAZE 5. 6K JA 1/16W	R7301	401 105 4710	MT- GLAZE 39K JA 1/16W
R392	401 105 2805	MT- GLAZE 2. 2K JA 1/16W	R7302	401 105 4710	MT- GLAZE 39K JA 1/16W
△ R672	401 064 6302	OXI DE- MT 10 JA 2W	R7303	401 105 5816	MT- GLAZE 56 JA 1/16W
△ R673	401 064 6302	OXI DE- MT 10 JA 2W	R7304	401 105 5915	MT- GLAZE 560 JA 1/16W
R676	401 105 5806	MT- GLAZE 56 JA 1/16W	R7305	401 105 3218	MT- GLAZE 270 JA 1/16W
△ R678	401 066 3705	OXI DE- MT 2. 7 JA 2W	R7307	401 105 5212	MT- GLAZE 470 JA 1/16W
R7005	401 105 5806	MT- GLAZE 56 JA 1/16W	R7308	401 105 5212	MT- GLAZE 470 JA 1/16W
R7006	401 105 5905	MT- GLAZE 560 JA 1/16W	R7309	401 105 3218	MT- GLAZE 270 JA 1/16W
R7007	401 105 0504	MT- GLAZE 1K JA 1/16W	R7311	401 105 4710	MT- GLAZE 39K JA 1/16W
R7008	401 105 6506	MT- GLAZE 680 JA 1/16W	R7312	401 105 4710	MT- GLAZE 39K JA 1/16W
R7009	401 105 5103	MT- GLAZE 47 JA 1/16W	R7313	401 105 5816	MT- GLAZE 56 JA 1/16W
R7012	401 105 2904	MT- GLAZE 22K JA 1/16W	R7314	401 105 5915	MT- GLAZE 560 JA 1/16W
R7013	401 105 0603	MT- GLAZE 10K JA 1/16W	R7315	401 105 4017	MT- GLAZE 330 JA 1/16W

Ref. No.	Part No.	Description	Ref. No.	Part No.	Description
R7317	401 105 5212	MT- GLAZE 470 JA 1/16W	R813	401 105 0405	MT- GLAZE 100 JA 1/16W
R7318	401 105 5212	MT- GLAZE 470 JA 1/16W	R814	401 105 0603	MT- GLAZE 10K JA 1/16W
R7319	401 105 0415	MT- GLAZE 100 JA 1/16W	R815	401 105 0603	MT- GLAZE 10K JA 1/16W
R7320	401 105 0514	MT- GLAZE 1K JA 1/16W	R816	401 105 0603	MT- GLAZE 10K JA 1/16W
R7321	401 105 4710	MT- GLAZE 39K JA 1/16W	R817	401 105 0603	MT- GLAZE 10K JA 1/16W
R7322	401 105 4710	MT- GLAZE 39K JA 1/16W	R818	401 105 5806	MT- GLAZE 56 JA 1/16W
R7323	401 105 5816	MT- GLAZE 56 JA 1/16W	R819	401 105 5806	MT- GLAZE 56 JA 1/16W
R7324	401 105 5915	MT- GLAZE 560 JA 1/16W	R820	401 105 0405	MT- GLAZE 100 JA 1/16W
R7325	401 105 4017	MT- GLAZE 330 JA 1/16W	R821	401 105 7909	MT- GLAZE 0.000 ZA 1/16W
R7327	401 105 5212	MT- GLAZE 470 JA 1/16W	R822	401 105 5806	MT- GLAZE 56 JA 1/16W
R7328	401 105 5212	MT- GLAZE 470 JA 1/16W	R823	401 105 5806	MT- GLAZE 56 JA 1/16W
R7329	401 105 0415	MT- GLAZE 100 JA 1/16W	R824	401 105 0603	MT- GLAZE 10K JA 1/16W
R7330	401 105 5816	MT- GLAZE 56 JA 1/16W	R825	401 105 0702	MT- GLAZE 100K JA 1/16W
R7331	401 105 5816	MT- GLAZE 56 JA 1/16W	R826	401 105 0405	MT- GLAZE 100 JA 1/16W
R7332	401 105 0514	MT- GLAZE 1K JA 1/16W	R828	401 105 0504	MT- GLAZE 1K JA 1/16W
R7333	401 105 5113	MT- GLAZE 47 JA 1/16W	R829	401 105 0603	MT- GLAZE 10K JA 1/16W
R7334	401 105 5816	MT- GLAZE 56 JA 1/16W	R830	401 105 0405	MT- GLAZE 100 JA 1/16W
R7335	401 105 5816	MT- GLAZE 56 JA 1/16W	R832	401 105 1105	MT- GLAZE 12K JA 1/16W
R7336	401 105 0514	MT- GLAZE 1K JA 1/16W	R833	401 105 5103	MT- GLAZE 47 JA 1/16W
R7337	401 105 5212	MT- GLAZE 470 JA 1/16W	R834	401 105 0603	MT- GLAZE 10K JA 1/16W
R7338	401 105 5113	MT- GLAZE 47 JA 1/16W	R835	401 105 6011	MT- GLAZE 5.6K JA 1/16W
R7339	401 105 5816	MT- GLAZE 56 JA 1/16W	R836	401 105 6605	MT- GLAZE 6.8K JA 1/16W
R7340	401 105 5816	MT- GLAZE 56 JA 1/16W	R837	401 105 6001	MT- GLAZE 5.6K JA 1/16W
R7341	401 105 0514	MT- GLAZE 1K JA 1/16W	R838	401 105 6001	MT- GLAZE 5.6K JA 1/16W
R7342	401 105 5212	MT- GLAZE 470 JA 1/16W	R839	401 105 6001	MT- GLAZE 5.6K JA 1/16W
R7343	401 105 5113	MT- GLAZE 47 JA 1/16W	R840	401 105 0405	MT- GLAZE 100 JA 1/16W
R7344	401 105 4611	MT- GLAZE 3.9K JA 1/16W	R841	401 105 3208	MT- GLAZE 270 JA 1/16W
R7345	401 105 1610	MT- GLAZE 15K JA 1/16W	R842	401 105 1600	MT- GLAZE 15K JA 1/16W
R7346	401 105 4611	MT- GLAZE 3.9K JA 1/16W	R844	401 105 0603	MT- GLAZE 10K JA 1/16W
R7347	401 105 1610	MT- GLAZE 15K JA 1/16W	R845	401 105 0603	MT- GLAZE 10K JA 1/16W
R7348	401 105 0415	MT- GLAZE 100 JA 1/16W	R846	401 105 2805	MT- GLAZE 2.2K JA 1/16W
R7349	401 105 0415	MT- GLAZE 100 JA 1/16W	R847	401 105 4700	MT- GLAZE 39K JA 1/16W
R7351	401 105 5816	MT- GLAZE 56 JA 1/16W	R851	401 105 0702	MT- GLAZE 100K JA 1/16W
R7352	401 105 5915	MT- GLAZE 560 JA 1/16W	R852	401 105 0702	MT- GLAZE 100K JA 1/16W
R7353	401 105 1412	MT- GLAZE 150 JA 1/16W	R853	401 105 1600	MT- GLAZE 15K JA 1/16W
R7356	401 105 5212	MT- GLAZE 470 JA 1/16W	R854	401 105 1600	MT- GLAZE 15K JA 1/16W
R7357	401 105 5212	MT- GLAZE 470 JA 1/16W	R856	401 105 0702	MT- GLAZE 100K JA 1/16W
R7359	401 105 5816	MT- GLAZE 56 JA 1/16W	R857	401 105 0702	MT- GLAZE 100K JA 1/16W
R7361	401 105 5816	MT- GLAZE 56 JA 1/16W	R858	401 105 0702	MT- GLAZE 100K JA 1/16W
R7362	401 105 5915	MT- GLAZE 560 JA 1/16W	R859	401 105 0405	MT- GLAZE 100 JA 1/16W
R7363	401 105 0910	MT- GLAZE 120 JA 1/16W	R860	401 105 0603	MT- GLAZE 10K JA 1/16W
R7366	401 105 5212	MT- GLAZE 470 JA 1/16W	R861	401 105 1600	MT- GLAZE 15K JA 1/16W
R7367	401 105 5212	MT- GLAZE 470 JA 1/16W	R862	401 105 1600	MT- GLAZE 15K JA 1/16W
R7368	401 105 7919	MT- GLAZE 0.000 ZA 1/16W	R863	401 105 0405	MT- GLAZE 100 JA 1/16W
R7369	401 105 5816	MT- GLAZE 56 JA 1/16W	R864	401 105 0702	MT- GLAZE 100K JA 1/16W
R7370	401 105 6516	MT- GLAZE 680 JA 1/16W	R865	401 105 0702	MT- GLAZE 100K JA 1/16W
R7371	401 105 5816	MT- GLAZE 56 JA 1/16W	R866	401 105 0702	MT- GLAZE 100K JA 1/16W
R7372	401 105 5915	MT- GLAZE 560 JA 1/16W	R868	401 105 0603	MT- GLAZE 10K JA 1/16W
R7373	401 105 0910	MT- GLAZE 120 JA 1/16W	R869	401 105 0603	MT- GLAZE 10K JA 1/16W
R7376	401 105 5212	MT- GLAZE 470 JA 1/16W	R870	401 105 0504	MT- GLAZE 1K JA 1/16W
R7377	401 105 5212	MT- GLAZE 470 JA 1/16W	R871	401 105 0603	MT- GLAZE 10K JA 1/16W
R7378	401 105 4512	MT- GLAZE 390 JA 1/16W	R872	401 105 0603	MT- GLAZE 10K JA 1/16W
R7379	401 105 5816	MT- GLAZE 56 JA 1/16W	R873	401 105 0603	MT- GLAZE 10K JA 1/16W
R7380	401 105 6516	MT- GLAZE 680 JA 1/16W	R874	401 105 0504	MT- GLAZE 1K JA 1/16W
R7381	401 105 5816	MT- GLAZE 56 JA 1/16W	R876	401 105 2706	MT- GLAZE 220 JA 1/16W
R7382	401 105 0514	MT- GLAZE 1K JA 1/16W	R877	401 105 2706	MT- GLAZE 220 JA 1/16W
R7383	401 105 5816	MT- GLAZE 56 JA 1/16W	R878	401 105 0603	MT- GLAZE 10K JA 1/16W
R7384	401 105 0514	MT- GLAZE 1K JA 1/16W	R879	401 105 5301	MT- GLAZE 4.7K JA 1/16W
R7385	401 105 5816	MT- GLAZE 56 JA 1/16W	R880	401 105 5806	MT- GLAZE 56 JA 1/16W
R7386	401 105 0514	MT- GLAZE 1K JA 1/16W	R881	401 105 0603	MT- GLAZE 10K JA 1/16W
R7387	401 105 0514	MT- GLAZE 1K JA 1/16W	R882	401 105 0603	MT- GLAZE 10K JA 1/16W
R801	401 105 0603	MT- GLAZE 10K JA 1/16W	R884	401 105 0603	MT- GLAZE 10K JA 1/16W
R802	401 105 0603	MT- GLAZE 10K JA 1/16W	R885	401 105 0405	MT- GLAZE 100 JA 1/16W
R803	401 105 0603	MT- GLAZE 10K JA 1/16W	R886	401 105 2706	MT- GLAZE 220 JA 1/16W
R804	401 105 0603	MT- GLAZE 10K JA 1/16W	R887	401 105 2706	MT- GLAZE 220 JA 1/16W
R805	401 105 0603	MT- GLAZE 10K JA 1/16W	R888	401 105 0603	MT- GLAZE 10K JA 1/16W
R806	401 105 4601	MT- GLAZE 3.9K JA 1/16W	R889	401 105 6001	MT- GLAZE 5.6K JA 1/16W
R807	401 105 4601	MT- GLAZE 3.9K JA 1/16W	R891	401 105 0405	MT- GLAZE 100 JA 1/16W
R808	401 105 0603	MT- GLAZE 10K JA 1/16W	R892	401 105 0405	MT- GLAZE 100 JA 1/16W
R809	401 105 0603	MT- GLAZE 10K JA 1/16W	R893	401 105 0405	MT- GLAZE 100 JA 1/16W
R810	401 105 5806	MT- GLAZE 56 JA 1/16W			
R811	401 105 0603	MT- GLAZE 10K JA 1/16W			

Ref. No.	Part No.	Description	Ref. No.	Part No.	Description
R894	401 105 0405	MT- GLAZE 100 JA 1/16W		645 031 2687	INDUCTOR, 3. 3U M
R897	401 105 5806	MT- GLAZE 56 JA 1/16W	L7103	645 036 3894	INDUCTOR, 220 OHM
R898	401 105 0603	MT- GLAZE 10K JA 1/16W	L7104	645 036 3894	INDUCTOR, 220 OHM
VARIABLE RESISTOR			L7105	645 020 1776	INDUCTOR, 3. 3U M
VR181	645 002 3521	VR, SEMI , 470 S		645 031 2687	INDUCTOR, 3. 3U M
VR7001	645 002 3521	VR, SEMI , 470 S	L7106	645 020 1776	INDUCTOR, 3. 3U M
VR7351	645 002 3460	VR, SEMI , 1K S		645 031 2687	INDUCTOR, 3. 3U M
TRANSFORMER			L7107	645 020 1776	INDUCTOR, 3. 3U M
T131	610 037 4508	S COIL		645 031 2687	INDUCTOR, 3. 3U M
T132	645 032 8626	TRANS. OSC, 77. 8MHZ	L7201	645 036 3894	COIL BLM21P221SGPT MURATA
T7051	645 028 2454	FILTER, LP 6MHZ	L7204	645 0411 397	SMDCOIL LEM2520T5R6J
T7052	645 028 2454	FILTER, LP 6MHZ	L7205	645 030 5641	SMDCOIL LEM2520T270J
COIL			L7206	645 030 5641	SMDCOIL LEM2520T270J
L1201	645 008 2863	INDUCTOR, 4. 7U K	L7211	645 031 2700	SMDC. LEMC3225T330M
L1203	645 008 2863	INDUCTOR, 4. 7U K	L7212	645 031 2700	SMDC. LEMC3225T330M
L1204	645 008 2863	INDUCTOR, 4. 7U K	L7221	645 031 2700	SMDC. LEMC3225T330M
L1205	645 008 2863	INDUCTOR, 4. 7U K	L7222	645 031 2700	SMDC. LEMC3225T330M
L1207	645 008 2863	INDUCTOR, 4. 7U K	L7223	401 037 5014	MT- GLAZE 0. 000 ZA 1/10W
L1209	645 008 2863	INDUCTOR, 4. 7U K	L7231	645 036 3894	COIL BLM21P221SGPT MURATA
L1210	645 008 2863	INDUCTOR, 4. 7U K	L7232	645 036 3894	COIL BLM21P221SGPT MURATA
L1212	645 008 2863	INDUCTOR, 4. 7U K	L7301	645 031 2700	SMDC. LEMC3225T330M
L1301	645 008 2405	INDUCTOR, 330U J	L7351	645 036 3894	COIL BLM21P221SGPT MURATA
L1305	645 024 8641	INDUCTOR, 33U K	L7352	645 041 2189	SMDCOIL LEM2520T3R3J
	645 031 2700	INDUCTOR, 33U K	L7353	645 041 2189	SMDCOIL LEM2520T3R3J
L131	645 008 2580	P. COIL EL0606RA- 6R8J	L7354	645 041 2189	SMDCOIL LEM2520T3R3J
L132	645 008 2252	INDUCTOR, 22U J	L7361	645 031 2700	SMDC. LEMC3225T330M
L133	645 024 8641	INDUCTOR, 33U K	L7411	401 037 5014	MT- GLAZE 0. 000 ZA 1/10W
	645 031 2700	INDUCTOR, 33U K	L7412	401 037 5014	MT- GLAZE 0. 000 ZA 1/10W
L134	645 020 1776	INDUCTOR, 3. 3U M	L7413	401 037 5014	MT- GLAZE 0. 000 ZA 1/10W
	645 031 2687	INDUCTOR, 3. 3U M	L7414	401 037 5014	MT- GLAZE 0. 000 ZA 1/10W
L135	645 024 8641	INDUCTOR, 33U K	L7415	401 037 5014	MT- GLAZE 0. 000 ZA 1/10W
	645 031 2700	INDUCTOR, 33U K	L7416	401 037 5014	MT- GLAZE 0. 000 ZA 1/10W
L201	645 020 1776	INDUCTOR, 3. 3U M	L7417	401 037 5014	MT- GLAZE 0. 000 ZA 1/10W
	645 031 2687	INDUCTOR, 3. 3U M	L7418	401 037 5014	MT- GLAZE 0. 000 ZA 1/10W
L231	645 024 8641	INDUCTOR, 33U K	L7419	645 036 3894	COIL BLM21P221SGPT MURATA
	645 031 2700	INDUCTOR, 33U K	L7420	645 036 3894	COIL BLM21P221SGPT MURATA
L232	645 024 8641	INDUCTOR, 33U K	L7421	645 036 3894	COIL BLM21P221SGPT MURATA
	645 031 2700	INDUCTOR, 33U K	L7422	645 036 3894	COIL BLM21P221SGPT MURATA
L233	645 006 2490	INDUCTOR, 1U K	L7423	401 037 5014	MT- GLAZE 0. 000 ZA 1/10W
L301	645 003 9799	INDUCTOR, 3. 3U K	L7424	645 036 3894	COIL BLM21P221SGPT MURATA
L302	645 042 4038	DELAY LINE	L7425	645 036 3894	COIL BLM21P221SGPT MURATA
L303	645 003 9676	INDUCTOR, 100U K	L7431	645 036 3894	COIL BLM21P221SGPT MURATA
L3101	645 020 1776	INDUCTOR, 3. 3U M	L7432	645 036 3894	COIL BLM21P221SGPT MURATA
	645 031 2687	INDUCTOR, 3. 3U M	L7433	401 037 5014	MT- GLAZE 0. 000 ZA 1/10W
L3451	645 018 9999	INDUCTOR, 120 OHM	L7434	401 037 5014	MT- GLAZE 0. 000 ZA 1/10W
L3452	645 036 3894	INDUCTOR, 220 OHM	L7435	401 037 5014	MT- GLAZE 0. 000 ZA 1/10W
L3453	645 036 3894	INDUCTOR, 220 OHM	L7436	645 036 3894	COIL BLM21P221SGPT MURATA
L3454	645 020 1776	INDUCTOR, 3. 3U M	L7437	645 036 3894	COIL BLM21P221SGPT MURATA
	645 031 2687	INDUCTOR, 3. 3U M	L7438	645 036 3894	COIL BLM21P221SGPT MURATA
L3455	645 020 1776	INDUCTOR, 3. 3U M	L7439	645 036 3894	COIL BLM21P221SGPT MURATA
	645 031 2687	INDUCTOR, 3. 3U M	L7440	401 037 5014	MT- GLAZE 0. 000 ZA 1/10W
L3456	645 020 1776	INDUCTOR, 3. 3U M	L801	645 020 1776	INDUCTOR, 3. 3U M
	645 031 2687	INDUCTOR, 3. 3U M		645 031 2687	INDUCTOR, 3. 3U M
L3457	645 036 3894	INDUCTOR, 220 OHM	L802	645 024 8641	INDUCTOR, 33U K
L7001	645 008 2450	INDUCTOR, 4. 7U J		645 031 2700	INDUCTOR, 33U K
L7002	645 020 1776	INDUCTOR, 3. 3U M	L803	645 020 1776	INDUCTOR, 3. 3U M
	645 031 2687	INDUCTOR, 3. 3U M		645 031 2687	INDUCTOR, 3. 3U M
L7031	645 024 8641	INDUCTOR, 33U K	L805	645 020 1776	INDUCTOR, 3. 3U M
	645 031 2700	INDUCTOR, 33U K		645 031 2687	INDUCTOR, 3. 3U M
L7051	645 024 8641	INDUCTOR, 33U K	L806	645 020 1776	INDUCTOR, 3. 3U M
	645 031 2700	INDUCTOR, 33U K		645 031 2687	INDUCTOR, 3. 3U M
L7052	645 024 8641	INDUCTOR, 33U K	L807	645 001 4567	INDUCTOR, 10U K
	645 031 2700	INDUCTOR, 33U K	L808	645 020 1776	INDUCTOR, 3. 3U M
L7053	645 024 8641	INDUCTOR, 33U K		645 031 2687	INDUCTOR, 3. 3U M
	645 031 2700	INDUCTOR, 33U K	L809	645 020 1776	INDUCTOR, 3. 3U M
L7101	645 020 1776	INDUCTOR, 3. 3U M		645 031 2687	INDUCTOR, 3. 3U M
	645 031 2687	INDUCTOR, 3. 3U M	DIODE		
L7102	645 020 1776	INDUCTOR, 3. 3U M	D001	407 149 0807	DIODE 1SS355- TE- 17
			D002	407 149 0807	DIODE 1SS355- TE- 17

Ref. No.	Part No.	Description	Ref. No.	Part No.	Description
	405 012 2309	TR 2SC1815- Y		403 256 0808	MT- COMPO 0. 47U J 50V
	405 157 0505	TR 2SC536NF- NPA	C509	403 060 0704	POLYESTER 2700P K 50V
	405 151 8705	TR 2SC536NG- NPA		403 179 2200	POLYESTER 2700P K 50V
	405 020 7501	TR 2SC945A- PA	C510	403 274 6004	POLYESTER 0. 033U K 100V
Q631	405 020 7709	TR 2SC945A- QA		403 288 9701	POLYESTER 0. 033U K 100V
	405 011 8401	TR 2SC1740S- Q	C511	403 056 7304	POLYESTER 1000P J 50V
	405 011 8500	TR 2SC1740S- R		403 178 9200	POLYESTER 1000P J 50V
	405 011 8609	TR 2SC1740S- S	C512	403 056 7304	POLYESTER 1000P J 50V
	405 012 2002	TR 2SC1815- GR		403 178 9200	POLYESTER 1000P J 50V
	405 012 2309	TR 2SC1815- Y	C513	403 050 4408	ELECT 220U M 50V
	405 157 0505	TR 2SC536NF- NPA	C515	403 148 0404	ELECT 1000U M 25V
	405 151 8705	TR 2SC536NG- NPA	C516	403 069 8305	CERAMI C 0. 01U Z 50V
	405 020 7501	TR 2SC945A- PA	C517	403 036 6600	CERAMI C 8P D 500V
Q644	405 020 7709	TR 2SC945A- QA	C571	403 069 8305	CERAMI C 0. 01U Z 50V
	405 011 8401	TR 2SC1740S- Q	C572	403 042 2405	ELECT 100U M 16V
	405 011 8500	TR 2SC1740S- R	C573	403 154 2102	NP- ELECT 1U M 50V
	405 011 8609	TR 2SC1740S- S	C574	403 041 8804	ELECT 10U M 16V
	405 012 2002	TR 2SC1815- GR	C575	403 041 8804	ELECT 10U M 16V
	405 012 2101	TR 2SC1815- 0	C576	403 069 8305	CERAMI C 0. 01U Z 50V
	405 012 2309	TR 2SC1815- Y	C577	403 069 8305	CERAMI C 0. 01U Z 50V
	405 157 0505	TR 2SC536NF- NPA	C601	403 076 6707	CERAMI C 1000P K 1K
	405 151 8705	TR 2SC536NG- NPA		403 312 8205	CERAMI C 1000P K 1K
	405 020 7501	TR 2SC945A- PA	C602	403 076 6707	CERAMI C 1000P K 1K
	405 020 7709	TR 2SC945A- QA		403 312 8205	CERAMI C 1000P K 1K
	405 020 7907	TR 2SC945A- RA	C603	403 076 6707	CERAMI C 1000P K 1K
				403 312 8205	CERAMI C 1000P K 1K
INTEGRATED CIRCUIT			C604	403 076 6707	CERAMI C 1000P K 1K
IC501	409 403 7102	IC LA7846NZ		403 312 8205	CERAMI C 1000P K 1K
IC611	410 326 5007	IC STR- F6656 LF1351	C605	404 051 8105	ELECT 270U M 400V
IC631	409 169 5800	IC SE140NL	C606	403 180 4101	MT- POLYEST 0. 1U K 630V
CAPACITOR			C607	403 247 6604	CERAMI C 680P K 2K
CR617TM	403 249 9207	MT- COMPO 0. 022U J 50V		403 275 8205	CERAMI C 680P K 2K
C401	403 257 0807	ELECT 0. 47U M 50V		403 232 2109	CERAMI C 680P K 2K
C402	403 178 8807	ELECT 33U M 100V	C611	403 245 4404	CERAMI C 470P K 2K
C404	403 076 0507	CERAMI C 2200P K 500V		403 275 8106	CERAMI C 470P K 2K
C405	CE1C222MMVALC	ELECT 2200U		403 232 1805	CERAMI C 470P K 2K
C406	403 049 4204	ELECT 10U M 50V	C612	403 148 1708	ELECT 100U M 35V
C411	CMXAA3Y512HAN	MT- PPRO ECWH20512	C613	403 138 9905	POLYESTER 470P J 50V
	403 343 8304	MT- POLYPRO 8000P H 1. 5K		403 276 9102	POLYESTER 470P J 50V
C412	CMXAA3Y652HAN	MT- PPRO ECWH20652	C614	403 056 7304	POLYESTER 1000P J 50V
	403 343 8304	T- POLYPRO 8000P H 1. 5K		403 178 9200	POLYESTER 1000P J 50V
C415	403 324 2208	CERAMI C 220P K 3K	△ C621	404 073 4505	CERAMI C 2200P K 250V
	403 275 8304	CERAMI C 220P K 3K		404 071 4101	CERAMI C 2200P M 400V
	403 232 2703	CERAMI C 220P K 3K		404 071 4200	CERAMI C 2200P M 400V
C416	403 076 0507	CERAMI C 2200P K 500V		404 060 6604	CERAMI C 2200P M 400V
C418	403 185 8807	MT- POLYEST 1U K 250V	C631	403 222 1303	CERAMI C 1000P K 1K
C421	403 083 2818	ECQ- F4104JZH PANA 20X5MM		403 271 9602	CERAMI C 1000P K 1K
C422	403 359 1910	MT- POLYPRO 0. 12U J 400V		403 262 1806	CERAMI C 1000P K 1K
C423	403 359 1811	MT- POLYPRO 0. 1U J 400V	C632	403 148 0404	ELECT 1000U M 25V
C424	403 180 1605	MT- POLYEST 0. 1U K 400V	C633	403 247 5003	CERAMI C 470P K 1K
C425	403 041 8804	ELECT 10U M 16V		403 269 1809	C ERAMI C 470P K 1K
C427	403 353 2210	MT- POLYPRO 0. 18U J 400V		403 232 0501	CERAMI C 470P K 1K
C428	403 075 7101	CERAMI C 1000P K 500V	C634	404 083 9507	ELECT 330U M 200V
C431	403 260 0702	ELECT 33U M 250V	C635	403 222 1303	CERAMI C 1000P K 1K
C432	403 049 4204	ELECT 10U M 50V		403 271 9602	CERAMI C 1000P K 1K
C433	403 222 1303	CERAMI C 1000P K 1K		403 262 1806	CERAMI C 1000P K 1K
C434	403 051 0607	ELECT 4. 7U M 50V	C636	403 155 1203	ELECT 3300U M 25V
C435	403 259 9303	ELECT 2. 2U M 160V	C637	403 222 1907	CERAMI C 2200P K 1K
C436	CE2A101MMYALC	100 YXG 101M T8 1		403 263 6305	CERAMI C 2200P K 1K
C438	403 067 7895	MT- COMPO 0. 47 J 50V		403 232 0204	CERAMI C 2200P K 1K
C442	403 069 0507	CERAMI C 1000P K 50V	C638	403 148 0701	ELECT 2200U M 25V
C454	403 156 8102	ELECT 22U M 16V	C639	403 222 1907	C ERAMI C 2200P K 1K
C455	403 237 8057	MT- COMPO 0. 1U J 50V		403 263 6305	CERAMI C 2200P K 1K
C461	403 354 9109	MT- POLYPRO 0. 01U J 1K		403 232 0204	CERAMI C 2200P K 1K
C462	403 354 9119	ECW- H12103JB 15X5MM MT. PP	C640	403 154 8500	ELECT 3300U M 35V
C464	403 188 0808	MT- POLYEST 2. 2U J 100V	C643	404 083 9408	ELECT 220U M 200V
C465	403 188 0808	MT- POLYEST 2. 2U J 100V	C644	403 148 0107	ELECT 1000U M 16V
C466	403 188 0808	MT- POLYEST 2. 2U J 100V	C645	403 148 0107	ELECT 1000U M 16V
C505	403 148 0701	ELECT 2200U M 25V	C651	403 069 8305	CERAMI C 0. 01U Z 50V
C508	403 168 6509	MT- POLYEST 0. 47U J 50V			

Ref. No.	Part No.	Description	Ref. No.	Part No.	Description
RESISTOR			R602	401 007 2903	CARBON 1M JA 1/2W
R401	401 024 7024	CARBON 1K JA 1/6W	△ R603	401 069 4501	OXIDE-MT 68K JA 2W
R402	401 026 6629	CARBON 390 JA 1/6W	R604	401 069 4501	OXIDE-MT 68K JA 2W
R403	401 025 1308	CARBON 150 JA 1/6W	R606	401 008 8607	CARBON 220K JA 1/2W
R405	401 024 7004	CARBON 1K JA 1/6W	R607	401 008 8607	CARBON 220K JA 1/2W
△ R406	401 062 7103	OXIDE-MT 5.6K JA 1W	R611	401 022 2001	CARBON 680 JB 1/4W
△ R407A	402 083 6908	WIRE WOUND 1K JA 5W	△ R612	401 238 3304	OXIDE-MT 0.18 JA 2W
△ R408A	402 083 6908	WIRE WOUND 1K JA 5W	△ R613	401 238 3304	OXIDE-MT 0.18 JA 2W
△ R409	401 069 0404	OXIDE-MT 6.8 JA 2W	R614	401 019 9600	CARBON 47 JA 1/4W
R410	401 062 0302	OXIDE-MT 47 JA 1W	R615	401 026 1000	CARBON 2.7K JA 1/6W
R411	401 013 5341	CARBON 1K2 JA 1/4W	R616	401 017 1903	CARBON 2.7K JB 1/4W
R421	401 024 6700	CARBON 100 JA 1/6W	R617	401 015 2803	CARBON 1.8K JB 1/4W
R422	401 024 7400	CARBON 10K JA 1/6W	R618	401 018 3906	CARBON 3.3K JB 1/4W
R423	401 007 2309	CARBON 100K JA 1/2W	△ R621	402 000 8305	SOLID 5.6M KA 1/2W
△ R425	401 058 3706	OXIDE-MT 1K JA 1W	△ R622	402 000 8305	SOLID 5.6M KA 1/2W
△ R431	402 022 2008	FUSIBLE RES 1 J- 1/2W	R631	401 024 7400	CARBON 10K JA 1/6W
R432	401 009 2406	CARBON 270K JA 1/2W	R632	401 024 9701	CARBON 12K JA 1/6W
R433	401 009 2000	CARBON 27K JA 1/2W	R633	401 026 9907	CARBON 4.7K JA 1/6W
△ R434	401 067 2509	OXIDE-MT 3.3 JA 2W	R634	401 024 7400	CARBON 10K JA 1/6W
△ R435	402 022 2008	FUSIBLE RES 1 J- 1/2W	R638	401 023 3403	CARBON 82K GA 1/4W
R436	401 025 1902	CARBON 15K JA 1/6W	R639	401 016 8309	CARBON 24K GA 1/4W
△ R437	402 022 2008	FUSIBLE RES 1 J- 1/2W	R640	401 024 7400	CARBON 10K JA 1/6W
R438	401 019 3044	CARBON 39K JA 1/4W	R647	401 011 2708	CARBON 68K JA 1/2W
R439	401 018 4933	CARBON 33K JA 1/4W	△ R652	401 065 8503	OXIDE-MT 15K JA 2W
R440	401 012 7049	CARBON 10K JA 1/4W	R653	401 016 3809	CARBON 2.2K JA 1/4W
△ R441	402 072 1204	WIRE WOUND 1.8 KA 7W	TRANSFORMER		
	402 075 8309	WIRE WOUND 1.8 KA 7W	T401A	645 036 1135	TRANS, DRIVE
R442	401 024 7400	CARBON 10K JA 1/6W	△ T402	645 041 3063	TRANS, FLYB. 32" WB5B FLAT
R443	401 024 7004	CARBON 1K JA 1/6W	△ T611	645 042 6711	TRANS, POWER, PULSE
△ R444	402 064 1809	FUSIBLE RES 100 J- 1W	COIL		
R445	401 027 2907	CARBON 56K GA 1/6W	L413	610 078 6820	PIPE CORE
R447	401 025 4923	CARBON 180K JA 1/6W	L422	645 039 9381	L. COIL LH16DL42SR-T3
△ R448	402 022 2008	FUSIBLE RES 1 J- 1/2W	L451	645 044 8133	7212N-681K(150UH)
R453	401 041 4109	MT-FILM 100K FA 1/4W	L460	610 078 6820	PIPE CORE
R454	401 053 4005	MT-FILM 560 FA 1/6W	L461	645 016 9137	S-150-044-A 330U SUMI DA
R455	401 044 9606	MT-FILM 2.2K FA 1/4W	L462	645 016 9137	S-150-044-A 330U SUMI DA
R456	401 053 5705	MT-FILM 8.2K FA 1/6W	L501	645 007 8019	INDUCTOR, 150U K
R457	401 027 5225	CARBON 680 JA 1/6W		610 032 1243	INDUCTOR, 150U K
R458	401 026 0627	CARBON 270 JA 1/6W		645 005 5287	INDUCTOR, 150U K
△ R459	402 058 9507	FUSIBLE RES 2.7 J- 1W	L502	610 032 4381	FILTER COIL
R460	401 027 2303	CARBON 560 JA 1/6W		610 032 4404	FILTER COIL
R464	401 027 0507	CARBON 470K JA 1/6W		645 008 5642	INDUCTOR, 3.3U K
R465	401 026 1000	CARBON 2.7K JA 1/6W	L503	645 008 5635	INDUCTOR, 12U K
R467	401 027 8305	CARBON 820 JA 1/6W	L571	645 001 4567	INDUCTOR, 10U K
R468	401 007 2309	CARBON 100K JA 1/2W	L604	645 005 0725	CORE, PIPE
△ R473	401 062 3006	OXIDE-MT 47K JA 1W	L605	401 025 7409	CARBON 220 JA 1/6W
R475	401 024 6700	CARBON 100 JA 1/6W	L641	645 007 8156	INDUCTOR, 82U K
R476	401 025 7805	CARBON 2.2K JA 1/6W		610 032 1083	INDUCTOR, 82U K
△ R503	402 068 0600	WIRE WOUND 6.8 KA 5W		645 005 5423	INDUCTOR, 82U K
△ R504	402 061 0201	FUSIBLE RES 1.5 J- 1/2W	L642	645 007 8002	INDUCTOR, 15U K
△ R505	402 059 4402	FUSIBLE RES 150 J- 1/2W		610 032 0796	INDUCTOR, 15U K
△ R506	401 062 6106	OXIDE-MT 560 JA 1W		645 005 5270	INDUCTOR, 15U K
R507	401 019 6203	CARBON 4.7 JA 1/4W	L643	645 007 8002	INDUCTOR, 15U K
△ R508	401 269 1508	OXIDE-MT 0.56 JA 2W		610 032 0796	INDUCTOR, 15U K
R509	401 083 8301	MT-FILM 1.2K FA 1/6W		645 005 5270	INDUCTOR, 15U K
△ R510	401 064 3806	OXIDE-MT 1 JA 2W	DIODE		
R511	401 024 7004	CARBON 1K JA 1/6W	D401	407 099 9400	ZENER DIODE MTZJ30A
R512	401 024 9305	CARBON 1.2K JA 1/6W	D402	407 099 9400	ZENER DIODE MTZJ30A
R513	401 083 8301	MT-FILM 1.2K FA 1/6W	D411A	407 142 5908	DIODE FMP-G3FS
R516	401 024 7004	CARBON 1K JA 1/6W	D411AA	610 269 6752	HEAT SINK (HKG) F3TV
R571	401 024 7400	CARBON 10K JA 1/6W	D411P	645 008 4058	TERMINAL PLUG
R572	401 024 7400	CARBON 10K JA 1/6W	D412	407 142 5908	DIODE FMP-G3FS
R573	401 027 5502	CARBON 6.8K JA 1/6W	D412AA	610 288 3299	HEAT SINK-A-C2LA
R574	401 024 9701	CARBON 12K JA 1/6W	D421	407 099 6607	ZENER DIODE MTZJ12B
R575	401 027 2501	CARBON 5.6K GA 1/6W	D422	407 099 5006	ZENER DIODE MTZJ4.7A
R576	401 026 4605	CARBON 33K JA 1/6W	D423	407 099 6508	ZENER DIODE MTZJ12A
R577	401 025 1902	CARBON 15K JA 1/6W	D431	407 012 4406	DIODE 1SS133
R578	401 024 7400	CARBON 10K JA 1/6W	D432	407 005 9609	DIODE ERA22-04
R579	401 026 4605	CARBON 33K JA 1/6W			
R601	401 007 2903	CARBON 1M JA 1/2W			

Ref. No.	Part No.	Description	Ref. No.	Part No.	Description
	407 007 7009	DIODE EU01	Q8802	405 014 4509	TR 2SC2412K T146 R
D433	407 012 4406	DIODE 1SS133		405 014 4608	TR 2SC2412K T146 S
D434	407 099 7208	ZENER DIODE MFZJ16A		405 015 8704	TR 2SC2812-L6-TB
D435	407 012 4406	DIODE 1SS133		405 015 8902	TR 2SC2812-L7-TB
D436	407 109 5408	DIODE RP1H	Q8803	405 134 5905	TR 2SA1037AK-T146-R
D437	407 006 3903	DIODE ERB43-04		405 147 2205	TR 2SC2412K T146 S
	407 011 4407	DIODE TVR1G		405 002 0308	TR 2SA1037K T146 R
D438	407 007 7306	DIODE EU01Z		405 002 0407	TR 2SA1037K T146 S
D441	407 011 4407	DIODE TVR1G		405 002 6706	TR 2SA1179-M6-TB
D453	407 012 4406	DIODE 1SS133		405 002 6904	TR 2SA1179-M7-TB
D454	407 012 4406	DIODE 1SS133	Q8804	405 014 4509	TR 2SC2412K T146 R
D455	407 099 6102	ZENER DIODE MFZJ10B		405 014 4608	TR 2SC2412K T146 S
D461	407 120 3704	DIODE FMU-16S LF-F		405 015 8704	TR 2SC2812-L6-TB
D461B	610 288 3299	HEAT SINK-A-C2LA		405 015 8902	TR 2SC2812-L7-TB
D504	407 100 0204	ZENER DIODE MFZJ36A	Q8805	405 134 5905	TR 2SA1037AK-T146-R
	407 100 0303	ZENER DIODE MFZJ36B		405 147 2205	TR 2SA1037AK-S-T146
	407 100 0402	ZENER DIODE MFZJ36C		405 002 0308	TR 2SA1037K T146 R
D505	407 118 2207	ZENER DIODE 1Z75		405 002 0407	TR 2SA1037K T146 S
D506	407 118 2207	ZENER DIODE 1Z75		405 002 6706	TR 2SA1179-M6-TB
D507	407 118 2207	ZENER DIODE 1Z75		405 002 6904	TR 2SA1179-M7-TB
D508	407 118 2207	ZENER DIODE 1Z75	Q8806	405 134 5905	TR 2SA1037AK-T146-R
D511	407 005 7308	DIODE EM01Z		405 147 2205	TR 2SA1037AK-S-T146
D571	407 012 4406	DIODE 1SS133		405 002 0308	TR 2SA1037K T146 R
D572	407 012 4406	DIODE 1SS133		405 002 0407	TR 2SA1037K T146 S
D575	407 099 5709	ZENER DIODE MFZJ6.8C		405 002 6706	TR 2SA1179-M6-TB
D601	407 155 8705	DIODE RBV-608 LF-B		405 002 6904	TR 2SA1179-M7-TB
D602	407 146 8103	DIODE EG01C	Q8807	405 014 4509	TR 2SC2412K T146 R
D611	407 012 4406	DIODE 1SS133		405 014 4608	TR 2SC2412K T146 S
D612	407 007 7603	DIODE EU2		405 015 8704	TR 2SC2812-L6-TB
	407 007 7801	DIODE EU2Z		405 015 8902	TR 2SC2812-L7-TB
D613	407 012 4406	DIODE 1SS133	Q8808	405 134 5905	TR 2SA1037AK-T146-R
D614	407 012 4406	DIODE 1SS133		405 147 2205	TR 2SA1037AK-S-T146
D615	407 063 8200	ZENER DIODE MFZJ10A		405 002 0308	TR 2SA1037K T146 R
D616	407 012 4406	DIODE 1SS133		405 002 0407	TR 2SA1037K T146 S
D631	407 106 2806	DIODE RU3YX		405 002 6706	TR 2SA1179-M6-TB
D632	407 191 3900	DIODE FML-G16S		405 002 6904	TR 2SA1179-M7-TB
D633	407 118 2306	DIODE FML-12S LF-F	Q8809	405 134 5905	TR 2SA1037AK-T146-R
	407 154 2704	DIODE YG901C2-LB		405 147 2205	TR 2SA1037AK-S-T146
D634	407 118 2306	DIODE FML-12S LF-F		405 002 0308	TR 2SA1037K T146 R
	407 154 2704	DIODE YG901C2-LB		405 002 0407	TR 2SA1037K T146 S
△ D635	407 166 2303	DIODE ERC91-02L		405 002 6706	TR 2SA1179-M6-TB
D637	407 012 4406	DIODE 1SS133		405 002 6904	TR 2SA1179-M7-TB
D638	407 099 7505	ZENER DIODE MFZJ18A	Q8810	405 014 4509	TR 2SC2412K T146 R
	407 099 7604	ZENER DIODE MFZJ18B		405 014 4608	TR 2SC2412K T146 S
	407 054 8301	ZENER DIODE RD18EB1		405 015 8704	TR 2SC2812-L6-TB
	407 054 8400	ZENER DIODE RD18EB2		405 015 8902	TR 2SC2812-L7-TB
D646	407 012 4406	DIODE 1SS133	Q8811	405 014 4509	TR 2SC2412K T146 R
D647	407 052 3506	ZENER DIODE HZ35		405 014 4608	TR 2SC2412K T146 S
D648	407 012 4406	DIODE 1SS133		405 015 8704	TR 2SC2812-L6-TB
D649	407 012 4406	DIODE 1SS133		405 015 8902	TR 2SC2812-L7-TB
D651	407 099 9806	ZENER DIODE MFZJ33A	Q8813	405 014 4509	TR 2SC2412K T146 R
D652	407 099 6102	ZENER DIODE MFZJ10B		405 014 4608	TR 2SC2412K T146 S
D653	407 012 4406	DIODE 1SS133		405 015 8704	TR 2SC2812-L6-TB
				405 015 8902	TR 2SC2812-L7-TB
MISCELLANEOUS			Q8821	405 134 5905	TR 2SA1037AK-T146-R
IC421	407 104 2402	PHOTO COUPLE PC817C		405 147 2205	TR 2SA1037AK-S-T146
	407 002 6809	PHOTO COUPLE TLP521-1BL		405 002 0308	TR 2SA1037K T146 R
K6J	645 008 7295	HOUSING PLUG 6P		405 002 0407	TR 2SA1037K T146 S
△ Q621	407 173 2907	PHOTO COUPLE PC123F2		405 002 6706	TR 2SA1179-M6-TB
				405 002 6904	TR 2SA1179-M7-TB
1AA0B10E607AA	ASSY,PWB,DAF-C2ML		Q8822	405 134 5905	TR 2SA1037AK-T146-R
TRANSISTOR				405 147 2205	TR 2SA1037AK-S-T146
Q8801	405 134 5905	TR 2SA1037AK-T146-R		405 002 0308	TR 2SA1037K T146 R
	405 147 2205	TR 2SA1037AK-S-T146		405 002 0407	TR 2SA1037K T146 S
	405 002 0308	TR 2SA1037K T146 R		405 002 6706	TR 2SA1179-M6-TB
	405 002 0407	TR 2SA1037K T146 S	Q8823	405 134 5905	TR 2SA1037AK-T146-R
	405 002 6706	TR 2SA1179-M6-TB		405 147 2205	TR 2SA1037AK-S-T146
	405 002 6904	TR 2SA1179-M7-TB		405 002 0308	TR 2SA1037K T146 R
				405 002 0407	TR 2SA1037K T146 S

Ref. No.	Part No.	Description	Ref. No.	Part No.	Description
R8864	401 105 0603	MT- GLAZE 10K JA 1/16W		405 014 4608	TR 2SC2412K T146 S
R8865	401 105 8104	MT- GLAZE 56K JA 1/16W		405 015 8704	TR 2SC2812- L6- TB
R8866	401 105 4205	MT- GLAZE 33K JA 1/16W		405 015 8902	TR 2SC2812- L7- TB
R8867	401 105 6001	MT- GLAZE 5. 6K JA 1/16W	Q1904	405 134 5905	TR 2SA1037AK- T146- R
R8872	401 105 6001	MT- GLAZE 5. 6K JA 1/16W		405 147 2205	TR 2SA1037AK- S- T146
R8873	401 105 8104	MT- GLAZE 56K JA 1/16W		405 002 0308	TR 2SA1037K T146 R
R8874	401 105 2013	MT- GLAZE 1. 8K JA 1/16W		405 002 0407	TR 2SA1037K T146 S
R8875	401 105 7315	MT- GLAZE 820 JA 1/16W		405 002 6706	TR 2SA1179- M6- TB
R8876	401 012 7009	CARBON 10K JA 1/4W		405 002 6904	TR 2SA1179- M7- TB
R8877	401 013 4304	CARBON 120 JB 1/4W			
R8878	401 065 0804	OXIDE- MT 100K JA 2W	CAPACITOR		
R8879	401 065 0804	OXIDE- MT 100K JA 2W	C046	403 140 9207	NP- ELECT 10U M 16V
△ R8880	401 065 8503	OXIDE- MT 15K JA 2W	C047	403 140 9207	NP- ELECT 10U M 16V
R8883	401 105 1917	MT- GLAZE 180 JA 1/16W	C049	403 149 9208	CERAMI C 0. 01U Z 50V
R8884	401 105 0504	MT- GLAZE 1K JA 1/16W	C050	403 149 9208	CERAMI C 0. 01U Z 50V
R8885	401 105 4502	MT- GLAZE 390 JA 1/16W	C1102	403 113 3805	CERAMI C 1000P K 50V
△ R8886	401 060 1707	OXIDE- MT 22 JA 1W	C1103	403 166 1605	NP- ELECT 4. 7U M 25V
△ R8887	401 063 0103	OXIDE- MT 68 JA 1W	C1104	403 166 1605	NP- ELECT 4. 7U M 25V
△ R8888	401 063 0103	OXIDE- MT 68 JA 1W	C1105	403 043 9106	ELECT 47U M 16V
△ R8889	401 058 7209	OXIDE- MT 12 JA 1W	C1107	403 113 3805	CERAMI C 1000P K 50V
R8894	401 027 5007	CARBON 68 JA 1/6W	C1108	403 166 1605	NP- ELECT 4. 7U M 25V
R8895	401 105 0405	MT- GLAZE 100 JA 1/16W	C1109	403 166 1605	NP- ELECT 4. 7U M 25V
R8896	401 105 5301	MT- GLAZE 4. 7K JA 1/16W	C1111	403 166 9205	CERAMI C 10P J 50V
R8897	401 105 0405	MT- GLAZE 100 JA 1/16W	C1115	403 149 9208	CERAMI C 0. 01U Z 50V
R8898	401 105 5301	MT- GLAZE 4. 7K JA 1/16W	C1451	403 164 0214	CERAMI C 0. 1U Z 25V
R8899	401 105 0405	MT- GLAZE 100 JA 1/16W	C1452	403 164 0214	CERAMI C 0. 1U Z 25V
			C1453	403 157 3116	CERAMI C 56P J 50V
TRANSFORMER			C1454	403 164 0214	CERAMI C 0. 1U Z 25V
△ T8881	645 036 0664	TRANS, PULSE	C1455	403 047 3100	ELECT 47U M 25V
			C1456	403 164 0214	CERAMI C 0. 1U Z 25V
COIL			C1457	403 164 0214	CERAMI C 0. 1U Z 25V
L8801	645 008 2689	INDUCTOR, 82U J	C1458	403 047 3100	ELECT 47U M 25V
L8802	645 018 9999	INDUCTOR, 120 OHM	C1460	403 047 3100	ELECT 47U M 25V
L8811	610 237 2328	PIPE CORE	C1461	403 164 0214	CERAMI C 0. 1U Z 25V
			C1462	CH1H104JAGA JC	MT- COMPO 0. 1U
DIODE			C1463	403 047 3100	ELECT 47U M 25V
D8803	407 149 0807	DIODE 1SS355- TE- 17	C1464	403 049 4204	ELECT 10U M 50V
D8804	407 149 0807	DIODE 1SS355- TE- 17	C1465	403 164 0214	CERAMI C 0. 1U Z 25V
D8805	407 149 0807	DIODE 1SS355- TE- 17	C1466	403 149 9218	CERAMI C 0. 01U Z 50V
D8806	407 149 0807	DIODE 1SS355- TE- 17	C1467	403 049 4204	ELECT 10U M 50V
D8807	407 149 0807	DIODE 1SS355- TE- 17	C1468	403 149 9208	CERAMI C 0. 01U Z 50V
D8808	407 149 0807	DIODE 1SS355- TE- 17	C1901	403 038 1603	ELECT 100U M 6. 3V
D8809	407 149 0807	DIODE 1SS355- TE- 17	C1902	403 041 2109	ELECT 47U M 10V
D8810	407 149 0807	DIODE 1SS355- TE- 17	C1903	403 149 9208	CERAMI C 0. 01U Z 50V
D8812	407 187 7905	ZENER DIODE UDZ9. 1B- TE- 17			
D8813	407 149 0807	DIODE 1SS355- TE- 17	RESISTOR		
D8814	407 149 0807	DIODE 1SS355- TE- 17	R046	401 007 7601	CARBON 150 JA 1/2W
D8815	407 009 8707	DIODE RU3A	R047	401 007 7601	CARBON 150 JA 1/2W
D8816	407 009 8707	DIODE RU3A	R1101	401 105 2805	MT- GLAZE 2. 2K JA 1/16W
D8817	407 109 5408	DIODE RP1H	R1102	401 105 0702	MT- GLAZE 100K JA 1/16W
D8818	407 063 8200	ZENER DIODE MFZJ10A	R1103	401 105 0702	MT- GLAZE 100K JA 1/16W
	407 099 6102	ZENER DIODE MFZJ10B	R1104	401 105 3000	MT- GLAZE 220K JA 1/16W
	407 099 6201	ZENER DIODE MFZJ10C	R1105	401 105 6001	MT- GLAZE 5. 6K JA 1/16W
D8820	407 149 0817	DIODE 1SS355- TE- 17	R1106	401 105 2805	MT- GLAZE 2. 2K JA 1/16W
			R1107	401 105 0702	MT- GLAZE 100K JA 1/16W
1AA0B10E607BB ASSY,PWB,FRONT-C2ML			R1108	401 105 0702	MT- GLAZE 100K JA 1/16W
			R1109	401 105 3000	MT- GLAZE 220K JA 1/16W
TRANSISTOR			R1110	401 105 6001	MT- GLAZE 5. 6K JA 1/16W
Q1101	405 014 4509	TR 2SC2412K T146 R	R1451	401 105 1610	MT- GLAZE 15K JA 1/16W
	405 014 4608	TR 2SC2412K T146 S	R1452	401 105 0415	MT- GLAZE 100 JA 1/16W
	405 015 8704	TR 2SC2812- L6- TB	△ R1454	401 064 6302	OXI DE- MT 10 JA 2W
	405 015 8902	TR 2SC2812- L7- TB	R1455	401 105 2211	MT- GLAZE 180K JA 1/16W
Q1106	405 014 4509	TR 2SC2412K T146 R	R1456	401 105 5410	MT- GLAZE 47K JA 1/16W
	405 014 4608	TR 2SC2412K T146 S	R1457	401 113 6812	MT- GLAZE ERJ- 3GEY113V
	405 015 8704	TR 2SC2812- L6- TB	R1459	401 105 7919	MT- GLAZE 0. 000 ZA 1/16W
	405 015 8902	TR 2SC2812- L7- TB	R1460	401 105 0514	MT- GLAZE 1K JA 1/16W
Q1451	405 006 6504	TR 2SA984- E	R1462	401 105 0514	MT- GLAZE 1K JA 1/16W
Q1452	405 013 6801	TR 2SC2274- E	R1463	401 020 2053	CARBON 4. 7K JA 1/4W
Q1453	405 013 6801	TR 2SC2274- E	R1464	401 024 6720	CARBON 100 JA 1/6W
Q1454	405 006 6504	TR 2SA984- E	R1465	401 024 6720	CARBON 100 JA 1/6W
Q1903	405 014 4509	TR 2SC2412K T146 R	△ R1466	401 061 1706	OXI DE- MT 33 JA 1W

Ref. No.	Part No.	Description	Ref. No.	Part No.	Description
R1467	401 024 6720	CARBON 100 JA 1/6W	K14J	645 008 7295	HOUSING PLUG 6P
R1468	401 021 3049	CARBON 5.6K JA 1/4W	SW1901	610 011 4432	SWITCH, PUSH
R1469	401 024 6720	CARBON 100 JA 1/6W	SW1902	610 011 4432	SWITCH, PUSH
△ R1470	401 061 1706	OXIDE-MT 33 JA 1W	SW1903	610 011 4432	SWITCH, PUSH
R1471	401 105 1016	MT-GLAZE 1.2K JA 1/16W	SW1904	610 011 4432	SWITCH, PUSH
△ R1472	402 002 3803	FUSIBLE RES 1 J- 1W	△ SW601	645 017 0928	SWITCH, PUSH POWER 2P-2T
R1473	401 105 5410	MT-GLAZE 47K JA 1/16W		645 024 0607	SWITCH, PUSH POWER 2P-2T
R1474	401 105 5410	MT-GLAZE 47K JA 1/16W			
R1901	401 105 5202	MT-GLAZE 470 JA 1/16W			
R1902	401 105 1501	MT-GLAZE 1.5K JA 1/16W			
R1903	401 105 2003	MT-GLAZE 1.8K JA 1/16W			
R1904	401 105 4106	MT-GLAZE 3.3K JA 1/16W			
R1908	401 105 7503	MT-GLAZE 82K JA 1/16W			
R1915	401 105 2904	MT-GLAZE 22K JA 1/16W			
R1916	401 105 5202	MT-GLAZE 470 JA 1/16W			
R1917	401 105 5202	MT-GLAZE 470 JA 1/16W			
R1918	401 105 5202	MT-GLAZE 470 JA 1/16W			
R1919	401 024 6700	CARBON 100 JA 1/6W			
R1920	401 105 2904	MT-GLAZE 22K JA 1/16W			
R1922	401 105 2706	MT-GLAZE 220 JA 1/16W			
R1960	401 105 0603	MT-GLAZE 10K JA 1/16W			
R1961	401 105 0405	MT-GLAZE 100 JA 1/16W			
COIL			1AA0B10E6070C ASSY,PWB,BACK TER-C2LA		
L041	645 002 1787	CORE, PIPE	CAPACITOR		
L042	645 008 5635	INDUCTOR, 12U K	C1020	403 157 3601	CERAMIC 100P J 50V
L043	645 008 5635	INDUCTOR, 12U K	C1022	403 113 3805	CERAMIC 1000P K 50V
L1101	645 001 4567	INDUCTOR, 10U K	C1024	403 113 3805	CERAMIC 1000P K 50V
L1106	645 001 4567	INDUCTOR, 10U K	C1031	403 157 3601	CERAMIC 100P J 50V
L1901	645 001 4567	INDUCTOR, 10U K	C1032	403 157 3601	CERAMIC 100P J 50V
L1902	645 001 4727	INDUCTOR, 10U K	C1033	403 157 3601	CERAMIC 100P J 50V
L1903	645 001 4567	INDUCTOR, 10U K	C1034	403 113 3805	CERAMIC 1000P K 50V
L1904	645 001 4727	INDUCTOR, 10U K	C1035	403 113 3805	CERAMIC 1000P K 50V
L1906	645 001 4567	INDUCTOR, 10U K	C1036	403 157 3601	CERAMIC 100P J 50V
L1907	645 001 4567	INDUCTOR, 10U K	C1037	403 157 3601	CERAMIC 100P J 50V
L1910	645 001 4567	INDUCTOR, 10U K	C1038	403 157 3601	CERAMIC 100P J 50V
DIODE			C1039	403 157 3601	CERAMIC 100P J 50V
D1102	407 012 4406	DIODE 1SS133	C1041	403 157 3601	CERAMIC 100P J 50V
D1103	407 012 4406	DIODE 1SS133	C1042	403 157 3601	CERAMIC 100P J 50V
D1454	407 099 8314	Z. DIODE MTZJT-77-22B	C1043	403 157 3601	CERAMIC 100P J 50V
D1455	407 099 8314	Z. DIODE MTZJT-77-22B	C1044	403 157 3601	CERAMIC 100P J 50V
D1456	407 005 8612	DIODE ERA15-02 26MM	C1049	403 157 3601	CERAMIC 100P J 50V
D1457	407 005 8612	DIODE ERA15-02 26MM	C1050	403 157 3601	CERAMIC 100P J 50V
D1903	407 196 7705	LED SLP-581D-51	RESISTOR		
	407 158 9204	LED SPR-39MVWF	R1021	401 105 5905	MT-GLAZE 560 JA 1/16W
D1905	407 187 8209	ZENER DIODE UDZ12B-TE-17	R1022	401 105 0504	MT-GLAZE 1K JA 1/16W
D1906	407 012 4406	DIODE 1SS133	R1023	401 105 5905	MT-GLAZE 560 JA 1/16W
D1907	407 012 4406	DIODE 1SS133	R1024	401 105 0504	MT-GLAZE 1K JA 1/16W
D1908	407 099 6508	ZENER DIODE MTZJ12A	R1025	401 105 0405	MT-GLAZE 100 JA 1/16W
	407 099 6607	ZENER DIODE MTZJ12B	R1027	401 113 4402	MT-GLAZE 75 JA 1/16W
D1909	407 187 8209	ZENER DIODE UDZ12B-TE-17	R1028	401 113 4402	MT-GLAZE 75 JA 1/16W
D1910	407 179 1003	ZENER DIODE UDZ15B-TE17	R1029	401 113 4402	MT-GLAZE 75 JA 1/16W
D1912	407 012 4406	DIODE 1SS133	R1030	401 113 4402	MT-GLAZE 75 JA 1/16W
D1913	407 149 0807	DIODE 1SS355-TE-17	R1031	401 105 1402	MT-GLAZE 150 JA 1/16W
D1914	407 149 0807	DIODE 1SS355-TE-17	R1032	401 105 5905	MT-GLAZE 560 JA 1/16W
INTEGRATED CIRCUIT			R1033	401 105 0504	MT-GLAZE 1K JA 1/16W
IC1451	409 018 4305	IC LA6458D	R1034	401 105 5905	MT-GLAZE 560 JA 1/16W
IC1452	409 429 1306	IC BA12T	R1035	401 105 0504	MT-GLAZE 1K JA 1/16W
IC1452A	610 219 1189	HEAT SINK-E2HV	R1036	401 105 1402	MT-GLAZE 150 JA 1/16W
IC1453	409 313 0804	IC TA79012S	R1037	401 105 0405	MT-GLAZE 100 JA 1/16W
IC1453A	610 2191 189	HEAT SINK-E2HV	R1038	401 113 4402	MT-GLAZE 75 JA 1/16W
MISCELLANEOUS			R1039	401 105 1402	MT-GLAZE 150 JA 1/16W
A1901	645 007 1546	UNIT, REMOCON RECEIVER	R1040	401 105 0504	MT-GLAZE 1K JA 1/16W
	610 224 5806	RC PREAMP 409-1L	R1041	401 105 0504	MT-GLAZE 1K JA 1/16W
K041	610 009 8053	JACK, PHONE D3.6	R1042	401 105 1402	MT-GLAZE 150 JA 1/16W
K1101	645 035 6698	TERMINAL, BOARD	R1043	401 105 0405	MT-GLAZE 100 JA 1/16W
K14A	645 008 7264	HOUSING PLUG 3P	R1044	401 105 1402	MT-GLAZE 150 JA 1/16W
K14B	645 005 9292	PLUG, 5P B5B-PH-K-S	R1045	401 022 6801	CARBON 75 JA 1/4W
			R1046	401 022 6801	CARBON 75 JA 1/4W
			R1047	401 105 0405	MT-GLAZE 100 JA 1/16W
			R1048	401 105 0405	MT-GLAZE 100 JA 1/16W
			R1049	401 105 0405	MT-GLAZE 100 JA 1/16W
			R1050	401 105 1402	MT-GLAZE 150 JA 1/16W
			R1051	401 105 0405	MT-GLAZE 100 JA 1/16W
			COIL		
			L1022	645 001 4567	INDUCTOR, 10U K
			L1023	645 001 4567	INDUCTOR, 10U K
			L1024	645 001 4567	INDUCTOR, 10U K
			L1025	645 001 4567	INDUCTOR, 10U K
			L1026	645 002 1787	CORE, PIPE

Ref. No.	Part No.	Description	Ref. No.	Part No.	Description
L1028	645 001 4567	INDUCTOR, 10U K	C1654	403 069 8305	CERAMIC 0.01U Z 50V
L1029	645 001 4567	INDUCTOR, 10U K	C1655	403 069 8305	CERAMIC 0.01U Z 50V
L1030	645 001 4567	INDUCTOR, 10U K	C1656	403 069 8305	CERAMIC 0.01U Z 50V
L1031	645 001 4567	INDUCTOR, 10U K	C1657	403 047 3100	ELECT 47U M 25V
L1032	645 002 1787	CORE, PIPE	C1658	403 069 8305	CERAMIC 0.01U Z 50V
L1034	645 001 4567	INDUCTOR, 10U K	C1661	403 044 1703	ELECT 470U M 16V
L1035	645 001 4567	INDUCTOR, 10U K	C1663	403 057 0601	POLYESTER 0.01U K 50V
L1036	645 002 1787	CORE, PIPE		403 179 3801	POLYESTER 0.01U K 50V
DIODE			C1664	403 069 0507	CERAMIC 1000P K 50V
D1021	407 187 8209	ZENER DIODE UDZ12B-TE-17	C1671	403 041 8804	ELECT 10U M 16V
D1022	407 187 8209	ZENER DIODE UDZ12B-TE-17	RESISTOR		
D1023	407 187 8209	ZENER DIODE UDZ12B-TE-17	△ RL1601	645 040 3583	RELAY
D1024	407 187 8209	ZENER DIODE UDZ12B-TE-17	△ RL1602	645 040 3583	RELAY
D1025	407 187 8209	ZENER DIODE UDZ12B-TE-17	R1601	401 010 4802	CARBON 470K JA 1/2W
D1026	407 187 8209	ZENER DIODE UDZ12B-TE-17	R1653	401 026 4308	CARBON 3.3K JA 1/6W
D1027	407 187 8209	ZENER DIODE UDZ12B-TE-17	R1654	401 027 3003	CARBON 56K JA 1/6W
D1028	407 187 8209	ZENER DIODE UDZ12B-TE-17	R1655	401 013 5301	CARBON 1.2K JA 1/4W
D1029	407 187 8209	ZENER DIODE UDZ12B-TE-17	R1656	401 021 1906	CARBON 560 JA 1/4W
D1031	407 187 8209	ZENER DIODE UDZ12B-TE-17	R1661	401 025 8208	CARBON 22K JA 1/6W
MISCELLANEOUS			R1662	401 026 4308	CARBON 3.3K JA 1/6W
K1001	645 025 1047	SOCKET, RGB 21P	R1663	401 025 8208	CARBON 22K JA 1/6W
K1002	645 025 1047	SOCKET, RGB 21P	R1664	401 022 4104	CARBON 68K JA 1/4W
K1003	645 025 1047	SOCKET, RGB 21P	R1665	401 024 7707	CARBON 100K JA 1/6W
1AA0B10E608A0 ASSY,PWB,SUB POWER-C2ML			R1666	401 024 7400	CARBON 10K JA 1/6W
TRANSISTOR			R1667	401 024 6700	CARBON 100 JA 1/6W
Q1652	405 016 9403	TR 2SC3068	R1671	401 026 4308	CARBON 3.3K JA 1/6W
Q1661	405 016 9403	TR 2SC3068	R1672	401 027 3003	CARBON 56K JA 1/6W
Q1662	405 011 8401	TR 2SC1740S-Q	VARIABLE RESISTOR		
	405 011 8500	TR 2SC1740S-R	VA1601	407 130 2902	VARIATOR ENC471D-14A
	405 011 8609	TR 2SC1740S-S	TRANSFORMER		
	405 012 2002	TR 2SC1815-GR	T1601	645 042 2812	CHOKE, ETQR45T006B PANA
	405 012 2101	TR 2SC1815-0	△ T1651	645 033 1015	TRANS, POWER
	405 012 2309	TR 2SC1815-Y	COIL		
	405 157 0505	TR 2SC536NF-NPA	L1601	645 009 3531	LINE FILTER
	405 151 8705	TR 2SC536NG-NPA	L1602	645 009 3531	LINE FILTER
	405 020 7501	TR 2SC945A-PA	L1611	610 237 2328	PIPE CORE
	405 020 7709	TR 2SC945A-QA	L1612	610 237 2328	PIPE CORE
	405 020 7907	TR 2SC945A-RA	L1613	610 237 2328	PIPE CORE
Q1663	405 011 8401	TR 2SC1740S-Q	L1614	610 237 2328	PIPE CORE
	405 011 8500	TR 2SC1740S-R	L1618	610 237 2328	PIPE CORE
	405 011 8609	TR 2SC1740S-S	L1619	610 237 2328	PIPE CORE
	405 012 2002	TR 2SC1815-GR	DIODE		
	405 012 2101	TR 2SC1815-0	D1651	407 005 8602	DIODE ERA15-02
	405 012 2309	TR 2SC1815-Y		407 088 6502	DIODE MPG06D
	405 157 0505	TR 2SC536NF-NPA	D1652	407 005 8602	DIODE ERA15-02
	405 151 8705	TR 2SC536NG-NPA		407 088 6502	DIODE MPG06D
	405 020 7501	TR 2SC945A-PA	D1653	407 005 8602	DIODE ERA15-02
	405 020 7709	TR 2SC945A-QA		407 088 6502	DIODE MPG06D
	405 020 7907	TR 2SC945A-RA	D1654	407 005 8602	DIODE ERA15-02
Q1671	405 016 9403	TR 2SC3068		407 088 6502	DIODE MPG06D
INTEGRATED CIRCUIT			D1656	407 012 4406	DIODE 1SS133
IC1651	409 416 7908	IC BA05T	D1658	407 005 8602	DIODE ERA15-02
CAPACITOR				407 088 6502	DIODE MPG06D
C1601	404 056 1408	MF-POLYEST 0.1U M 250V	D1661	407 005 8602	DIODE ERA15-02
	404 074 6508	MF-COMPO 0.1U K 250V		407 088 6502	DIODE MPG06D
C1603	404 056 1408	MF-POLYEST 0.1U M 250V	D1662	407 063 9108	ZENER DIODE MTZJ6.8B
	404 074 6508	MF-COMPO 0.1U K 250V	D1663	407 063 9306	ZENER DIODE MTZJ7.5C
C1604	404 056 1408	MF-POLYEST 0.1U M 250V		407 057 6502	ZENER DIODE RD7.5EB3
	404 074 6508	MF-COMPO 0.1U K 250V	D1665	407 005 8602	DIODE ERA15-02
C1651	403 043 1902	ELECT 2200U M 16V		407 088 6502	DIODE MPG06D
C1652	403 039 6508	ELECT 100U M 10V	D1666	407 005 9807	DIODE ERA81-004
C1653	403 047 5005	ELECT 470U M 25V	D1671	407 012 4406	DIODE 1SS133

Ref. No.	Part No.	Description	Ref. No.	Part No.	Description
C707	403 019 7313	CERAMIC 27P J 50V	R737	401 000 2326	SOLID ERC-12GK102V PANA
C708	403 019 7313	CERAMIC 27P J 50V	R739	401 024 6700	CARBON 100 JA 1/6W
C709	403 049 0008	ELECT 1U M 50V	△ R740	402 002 4305	FUSIBLE RES 33 J- 1W
C710	403 023 9607	CERAMIC 39P J 50V	R743	401 025 7429	CARBON 220 JA 1/6W
C712	403 161 9200	MT-POLYEST 0.22U K 250V	R744	401 025 7429	CARBON 220 JA 1/6W
C714	403 072 2604	CERAMIC 0.022U Z 50V	R745	401 025 7429	CARBON 220 JA 1/6W
C719	403 075 7111	CERAMIC 1000P K 500V	R748	401 012 5708	CARBON 1K JA 1/4W
C722	403 161 9200	MT-POLYEST 0.22U K 250V	△ R751	401 064 5701	OXIDE-MT 1.8 JA 2W
C724	403 072 2604	CERAMIC 0.022U Z 50V	△ R753	401 068 5509	OXIDE-MT 47 K JA 2W
C729	403 075 7111	CERAMIC 1000P K 500V	△ R754	401 068 5509	OXIDE-MT 47 K JA 2W
C732	403 161 9200	MT-POLYEST 0.22U K 250V	△ R755	401 068 5509	OXIDE-MT 47 K JA 2W
C733	403 072 2604	CERAMIC 0.022U Z 50V	R756	401 002 6500	SOLID 470K KA 1/2W
C736	403 260 0306	ELECT 2.2U M 250V	R757	401 009 7401	CARBON 330K JA 1/2W
C739	403 075 7111	CERAMIC 1000P K 500V	R758	401 000 1101	SOLID 10 KA 1/2W
C751	403 077 2708	CERAMIC 1000P P 2K			
C752	403 077 2708	CERAMIC 1000P P 2K			
RESISTOR			COIL		
R1701	401 024 6700	CARBON 100 JA 1/6W	L1702	610 237 1000	PIPE CORE
R1707	401 025 1605	CARBON 1.5K JA 1/6W	L1703	610 031 9998	PIPE CORE
R1708	401 015 7808	CARBON 2.7 JA 1/4W	L1704	610 031 9998	PIPE CORE
R1709	401 015 7808	CARBON 2.7 JA 1/4W	L1705	610 031 9998	PIPE CORE
R1711	401 027 2105	CARBON 56 JA 1/6W	L1771	610 237 1000	PIPE CORE
R1716	401 024 9305	CARBON 1.2K JA 1/6W			
R1720	401 025 4200	CARBON 1.8K JA 1/6W	DIODE		
R1722	401 027 3003	CARBON 56K JA 1/6W	D1705	407 108 5300	DIODE SB07-03N
R1723	401 026 7408	CARBON 39K JA 1/6W	D1707	407 108 5300	DIODE SB07-03N
R1724	401 026 7408	CARBON 39K JA 1/6W	D1708	407 012 4406	DIODE 1SS133
R1727	401 012 3506	CARBON 10 JB 1/4W	D701	407 012 4406	DIODE 1SS133
R1728	401 026 0607	CARBON 270 JA 1/6W	D702	407 012 4406	DIODE 1SS133
R1730	401 024 9305	CARBON 1.2K JA 1/6W	D703	407 012 4406	DIODE 1SS133
R1732	401 024 9305	CARBON 1.2K JA 1/6W	D705	407 099 6904	ZENER DIODE MTZJ15A
R1733	401 027 5908	CARBON 68K JA 1/6W			
R1734	401 027 5908	CARBON 68K JA 1/6W	D706	407 012 4406	DIODE 1SS133
R1735	401 024 9305	CARBON 1.2K JA 1/6W	D707	407 012 4406	DIODE 1SS133
R1736	401 024 9701	CARBON 12K JA 1/6W	D708	407 012 4406	DIODE 1SS133
△ R1737	401 007 3702	CARBON 12 JB 1/2W	D711	407 006 3903	DIODE ERB43-04
△ R1738	401 007 3702	CARBON 12 JB 1/2W			
△ R1742	401 066 6102	OXIDE-MT 220 JA 2W	D712	407 006 3903	DIODE ERB43-04
△ R1743	402 003 0108	FUSIBLE RES 1K J- 2W			
R1744	401 024 9305	CARBON 1.2K JA 1/6W	D721	407 006 3903	DIODE ERB43-04
△ R1771	401 059 1602	OXIDE-MT 15 JA 1W			
R701	401 024 7004	CARBON 1K JA 1/6W	D722	407 006 3903	DIODE ERB43-04
R702	401 027 5205	CARBON 680 JA 1/6W			
R703	401 024 7024	CARBON 1K JA 1/6W	D731	407 006 3903	DIODE ERB43-04
R704	401 027 2303	CARBON 560 JA 1/6W			
R705	401 025 7409	CARBON 220 JA 1/6W	D732	407 006 3903	DIODE ERB43-04
R706	401 026 1218	CARBON 27K GA 1/6W			
R707	401 026 4506	CARBON 33K GA 1/6W	D738	407 063 9405	ZENER DIODE MTZJ8.2A
R708	401 027 8503	CARBON 8.2K GA 1/6W			
R709	401 027 2521	CARBON 5K6 1/6W			
R710	401 027 2323	CARBON 560 JA 1/6W			
R711	401 012 5708	CARBON 1K JA 1/4W	D741	407 099 6904	ZENER DIODE MTZJ15A
R713	401 024 7004	CARBON 1K JA 1/6W			
R715	401 025 1823	CARBON 15K GA 1/6W			
R717	401 000 2326	SOLID ERC-12GK102V PANA			
R718	401 024 6700	CARBON 100 JA 1/6W			
R720	401 027 2323	CARBON 560 JA 1/6W			
R721	401 012 5708	CARBON 1K JA 1/4W			
R723	401 024 7004	CARBON 1K JA 1/6W			
R724	401 012 5708	CARBON 1K JA 1/4W			
R725	401 014 4105	CARBON 1.5K JA 1/4W			
R726	401 014 4105	CARBON 1.5K JA 1/4W			
R727	401 000 2326	SOLID ERC-12GK102V PANA			
R728	401 024 6700	CARBON 100 JA 1/6W			
R729	401 012 5708	CARBON 1K JA 1/4W			
R730	401 027 2323	CARBON 560 JA 1/6W			
R731	401 012 5708	CARBON 1K JA 1/4W			
R733	401 024 7004	CARBON 1K JA 1/6W			
R735	401 014 4105	CARBON 1.5K JA 1/4W			
			MISCELLANEOUS		
			△ K702	645 014 5643	SOCKET, CRT 8P
				645 024 3400	SOCKET, CRT 8P
			XL1701	610 237 1000	PIPE CORE
			XL1702	645 026 8908	FILTER, EMI 22000P
			1AA0B10E641A0 ASSY,PWB,SUB DEF-C2ML		
			TRANSISTOR		
			Q2301	406 012 1408	TR 2SK2010-CTV-YA14
			RESISTOR		
			R2301	401 007 2309	CARBON 100K JA 1/2W

Ref. No.	Part No.	Description	Ref. No.	Part No.	Description
R2302	401 027 8602	CARBON 8. 2K JA 1/6W			
R2303	401 024 9305	CARBON 1. 2K JA 1/6W			
△ R2304	401 067 1007	OXIDE-MT 2. 7K JA 2W			
△ R2305	401 067 1007	OXIDE-MT 2. 7K JA 2W			
△ R2306	401 068 0207	OXIDE-MT 3. 9K JA 2W			
△ R2307	401 067 6408	OXIDE-MT 3. 3K JA 2W			
△ R2308	401 068 0207	OXIDE-MT 3. 9K JA 2W			
△ R2309	401 068 0207	OXIDE-MT 3. 9K JA 2W			
VARIABLE RESISTOR			MISCELLANEOUS		
VR2301	645 002 3521	VR, SEMI, 470 S	J1421	401 105 7919	MT-GLAZE 0.000 ZA 1/16W
			J1422	401 105 7919	MT-GLAZE 0.000 ZA 1/16W
			K14D	645 005 9292	PLUG, 5P B5B-PH-K-S
			K14E	645 008 7264	HOUSING PLUG 3P
			K14F	645 008 7264	HOUSING PLUG 3P
1AA0B10E6070D ASSY,PWB,RASTER CONT-C2ML			All information in this manual is correct at the start of production. Sanyo reserves the right to modify components and procedures in order to comply with their continuous improvement policy.		
CAPACITOR					
C1404	403 200 6722	ELECT 220U M 16V			
C1405	403 149 9218	CERAMIC 0.01U Z 50V			
C1406	403 149 9218	CERAMIC 0.01U Z 50V			
C1407	403 149 9218	CERAMIC 0.01U Z 50V			
C1408	403 157 3116	CERAMIC 56P J 50V			
C1409	403 157 3116	CERAMIC 56P J 50V			
C1411	403 149 9218	CERAMIC 0.01U Z 50V			
C1412	403 149 9218	CERAMIC 0.01U Z 50V			
C1413	403 044 9521	ELECT 100U M 25V			
C1414	403 237 8057	MT-COMPO 0.1U J 50V			
C1416	403 237 8057	MT-COMPO 0.1U J 50V			
C1418	CE1C470MMFALC	16 YK 47 M TA 051			
C1423	CE1H100MMFALC	ELECT 10U			
C1424	403 149 9218	CERAMIC 0.01U Z 50V			
DIODE					
D1402	407 179 4519	ZENER DIODE UDZ-TE-1722B			
D1403	407 179 4519	ZENER DIODE UDZ-TE-1722B			
D1404	407 149 0817	DIODE 1SS355-TE-17			
D1405	407 149 0817	DIODE 1SS355-TE-17			
D1407	407 179 4519	ZENER DIODE UDZ-TE-1722B			
D1408	407 179 4519	ZENER DIODE UDZ-TE-1722B			
D1409	407 179 4519	ZENER DIODE UDZ-TE-1722B			
D1411	407 179 4519	ZENER DIODE UDZ-TE-1722B			
D1412	407 179 4519	ZENER DIODE UDZ-TE-1722B			
D1413	407 179 4519	ZENER DIODE UDZ-TE-1722B			
D1415	407 149 0817	DIODE 1SS355-TE-17			
D1416	407 149 0817	DIODE 1SS355-TE-17			
INTEGRATED CIRCUIT					
IC1402	409 039 5424	IC NJM2058M-TE2			
IC1403	409 139 4901	IC LA6517			
RESISTOR					
R1402	401 105 0415	MT-GLAZE 100 JA 1/16W			
R1403	401 105 0415	MT-GLAZE 100 JA 1/16W			
R1404	401 105 1610	MT-GLAZE 15K JA 1/16W			
R1406	401 105 8213	MT-GLAZE 68K JA 1/16W			
R1407	401 105 8213	MT-GLAZE 68K JA 1/16W			
R1408	401 105 7919	MT-GLAZE 0.000 ZA 1/16W			
R1409	401 105 1610	MT-GLAZE 15K JA 1/16W			
R1412	401 105 1610	MT-GLAZE 15K JA 1/16W			
R1413	401 105 0712	MT-GLAZE 100K JA 1/16W			
R1415	401 066 6102	OXIDE-MT 220 JA 2W			
R1416	401 105 1016	MT-GLAZE 1.2K JA 1/16W			
R1419	401 066 6102	OXIDE-MT 220 JA 2W			
R1421	401 105 1016	MT-GLAZE 1.2K JA 1/16W			
R1422	401 105 0712	MT-GLAZE 100K JA 1/16W			

SANYO

Sanyo Industries (UK) Ltd
Printed in UK